



MOTTURA **b** TECHNOLOGY



safeguarding your security

MOTTURA **b**TECHNOLOGY

The new MOTTURAbTECHNOLOGY range represents Mottura's continuous innovation in the field of motorized locks. The study of the logo already shows what is the core of this new family of products branded Mottura, that is the wireless transmission.

The new electronic access controls are completely wiring-free, communicating with each other via BLE (Bluetooth low energy) connection.

EVOLUTION IS NECESSARY

Changing habits is not easy, but evolving is necessary. Mottura's new product range makes it easier to adapt our security to the standards of the digital world, thanks to systems and interfaces that are easy to install, learn and use with the ease of everyday gestures.

THE bTECHNOLOGY LINE The best technologies for comfort and protection: Bluetooth, Cloud and App for smartphones and WEB (Desktop), numeric keyboards, fingerprint readers, transponder cards and Bluetooth remote controls. There is no limit to the possibilities of customization of command and security systems.

THE KEY EVOLVES

Security solution for
PRIVATE HOUSE



Security solution for
B&B AND RENTAL



Security solution for
OFFICES AND WORK



Security solution for
COMMON PASSAGES



SOLUTIONS FOR EVERY NEED

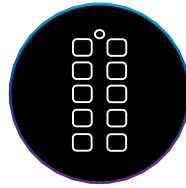
Discover the **MOTTURAbTECHNOLOGY** motorized and digital security solutions that best suit your needs and different uses.



APP
BLUETOOTH



FINGERPRINT



PIN CODE



CLOUD



WIFI



BLUETOOTH

b NOVA

MOTORIZED LOCK



b BLOCK

ELECTROMECHANICAL LOCK



b MOTO

MOTORISED KNOB



b OPEN

STAND-ALONE DEVICE FOR DRY CONTACT



b DIGIT

BLE KEYPAD



b TRACK

BLE FINGERPRINT READER



b KEY

REMOTE CONTROL BLE



b BRIDGE

BRIDGE FOR CLOUD CONNECTION



b WEBTECHNOLOGY WEB BASED REMOTE ACCESS CONTROL





b BLOCK



b WEBTECHNOLOGY



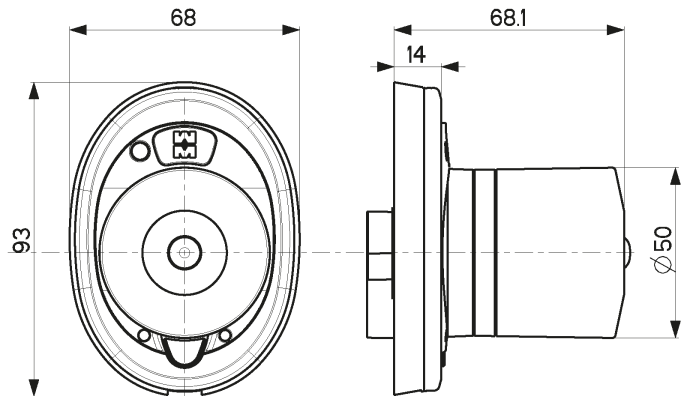
b MOTTURA



Compatible with WEB app (desktop)
and smartphone

MOTTURA b TECHNOLOGY





SPECIFICATIONS

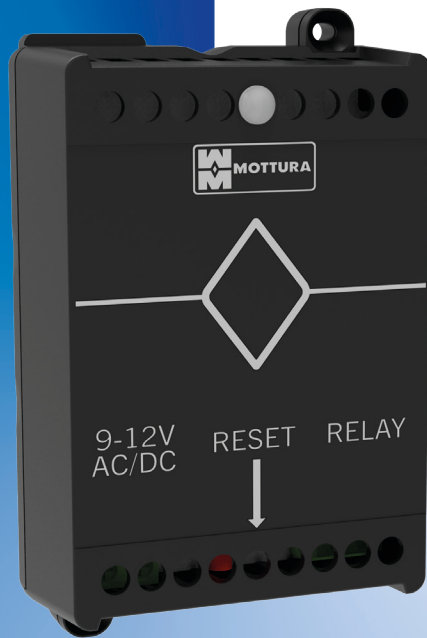


- Motorized knob
- Quick fixing system
- Controlled and managed by the bMOTTURA app system + bWEBTECHNOLOGY
- Up to 100 devices supported (smartphones, peripherals, codes, etc.)
- Integrated access control (history storage of 1000 events and time control)
- Peripheral management from master smartphone via bMOTTURA App
- Managed both locally and remotely via cloud with or without bBRIDGE
- Rechargeable battery powered with special magnetic USB-C cable
- Internal diagnostic system
- Integrated automatic closing sensor without magnet
- For all types of Europrofile cylinder doors
- Ble (Bluetooth low energy) vers. 5 integrated
- Finishes: Black, Satin Chrome
- Accessory available for opening with dry contact

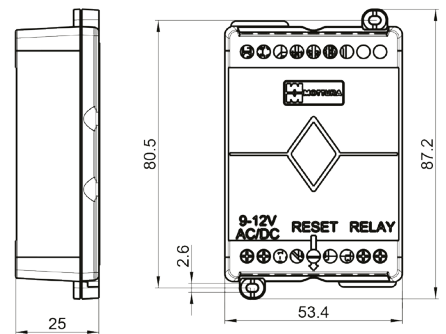


Compatible with WEB app (desktop) and smartphone

b OPEN



b OPEN



SPECIFICATIONS



- Dry contact opening interface
- Controlled and managed by bMOTTURA app system + bWEBTECHNOLOGY**
- Up to 100 supported devices (smartphones, peripherals, codes, etc.)
- Compatible with any type of lock with dry contact
- Integrated Access Control (data log with last 1000 events and time control)
- Managed in proximity via Bluetooth and remotely via cloud with the Mottura bBRIDGE
- 12V mains power or 9V batteries
- Ble (Bluetooth low energy) vers.5 integrated
- Ease of installation
- Fixing on surfaces by screws

bWEBTECHNOLOGY



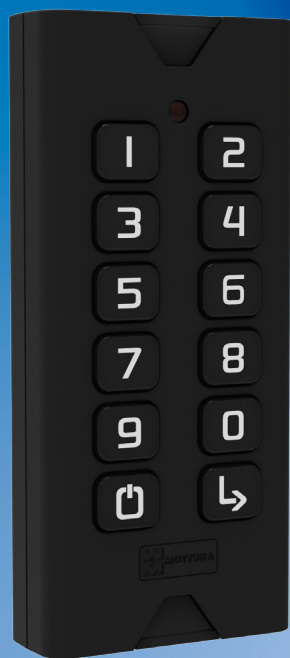
bMOTTURA



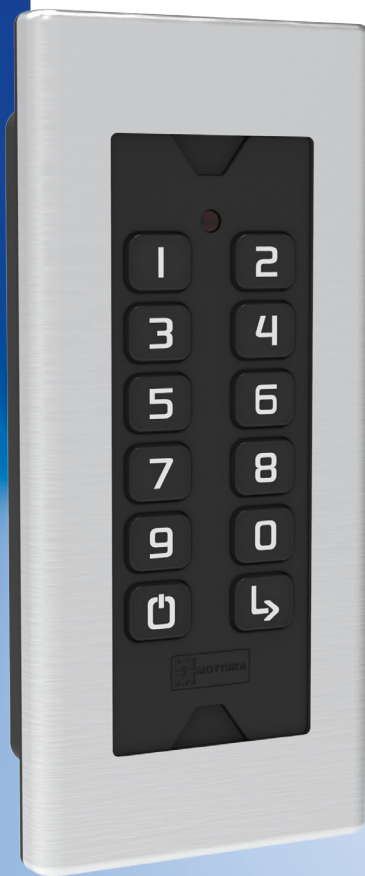
** Function available with bBRIDGE device

Compatible with WEB app (desktop) and smartphone

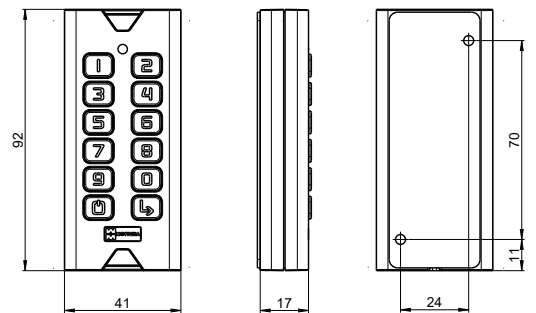




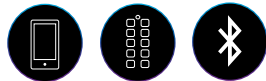
1



2



SPECIFICATIONS



- Numeric keypad
- Controlled and managed by bMOTTURA app system + bWEBTECHNOLOGY**
- Pairing from master smartphones
- Codes managed by master smartphones through bMOTTURA App manageable on time slots for access control system integrated to the lock
- Finishes: Black , Satin Chrome
- Battery or mains power
- Ble (Bluetooth low energy) vers.5 integrated
- Available in version ① surface mount or ② built-in



** Function available with bBRIDGE device

Compatible with WEB app (desktop) and smartphone

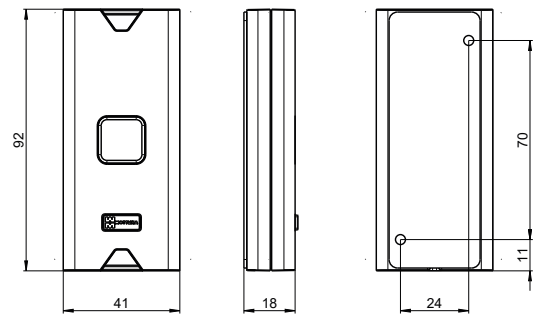
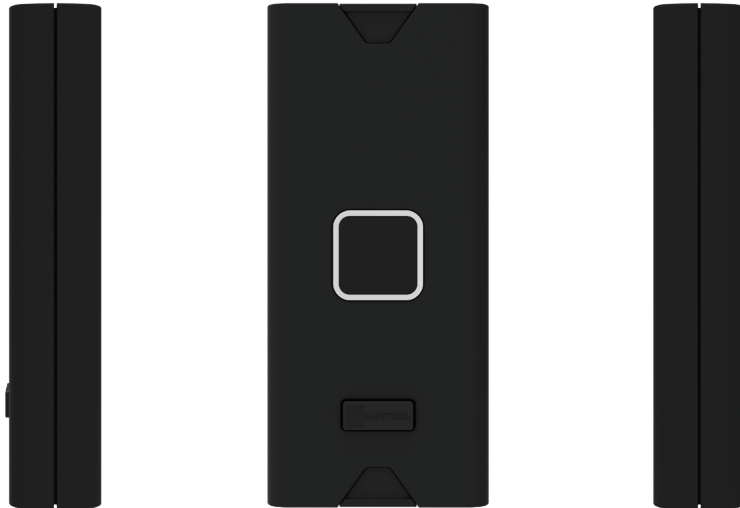


1



2

b TRACK



SPECIFICATIONS



- Biometric fingerprint reader
- Controlled and managed by bMOTTURA app system + bWEBTECHNOLOGY**
- Pairing from master smartphones
- Fingerprint management (MAX 100) from master smartphone through bMOTTURA App manageable on time slots for access control system integrated to the lock
- Finishes: Black , Satin Chrome
- Battery and mains power
- Ble (Bluetooth low energy) vers.5 integrated
- Stores up to 100 fingerprint
- Available in version ① surface mount or ② built-in

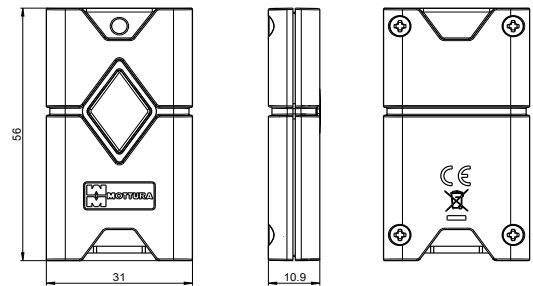


** Function available with bBRIDGE device

Compatible with WEB app (desktop) and smartphone







SPECIFICATIONS



- Keyfob with or without key inside
- Controlled and managed by bMOTTURA app system + bTECHNOLOGY**
- bKEY manageable on time slots for access control system integrated to the lock
- Pairing from master smartphones
- Battery power supply
- Ble (Bluetooth low energy) 5 integrated
- Can be associated with up to 10 devices

bWEBTECHNOLOGY



bMOTTURA



Compatible with WEB app (desktop) and smartphone



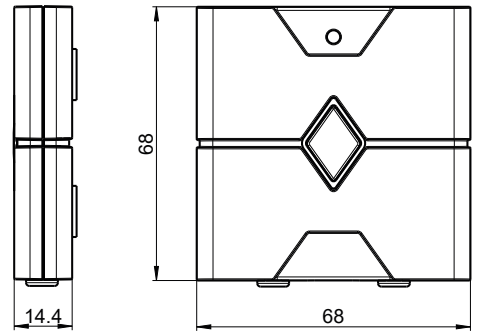
** Function available with bBRIDGE device Version with internal mechanical safety key



MOTTURA bTECHNOLOGY



b BRIDGE



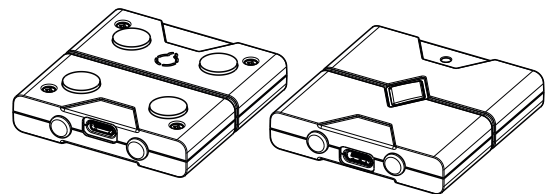
SPECIFICATIONS



- Bridge that allows you to connect the system to the cloud and manage it remotely, accessing all the lock/knob data (data log, diagnostics, anti-burglary, remote opening-closing)
- Connection to intercom cables and other extra access points for their management and opening
- Controlled and managed by the bMOTTURA app system and bTECHNOLOGY
- Power supply via USB-C cable
- Ble (Bluetooth low energy) vers.5 integrated
- Pairing from master smartphone
- Integrated Wifi

bMOTTURA

Management via
smartphone app



USB-C socket for power supply

Compatible with WEB app (desktop) and smartphone



MOTTURA b TECHNOLOGY

MOTTURA TECHNOLOGY



safeguarding your security

Mottura Serrature di Sicurezza S.p.A.
Strada Antica di Francia, 34
10057 Sant'Ambrogio (TO)
www.mottura.it



P190575ENG