

MADE
IN
ITALY

POWERED ELECTRONIC LOCKS



BT



MOTTURA **b** TECHNOLOGY



safeguarding your security

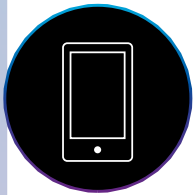
POWERED
ELECTRONIC LOCKS

The new MOTTURAbTECHNOLOGY range represents Mottura's continuous innovation in the field of motorized locks. It has been tried to identify already in the study of the logo what is the core of this new family of products branded Mottura, that is the wireless transmission.

The new electronic access controls are completely wiring-free, communicating with each other via BLE (Bluetooth low energy) connection.

SOLUTIONS FOR EVERY NEED

Discover the MOTTURAbTECHNOLOGY motorized and digital security solutions that best suits your needs and different uses. The best technologies for comfort and protection: Bluetooth, Cloud and App for smartphones and WEB (Desktop), numeric keyboards, fingerprint readers, transponder cards and Bluetooth remote controls. There is no limit to the possibilities of customization of command and security systems.



APP
BLUETOOTH



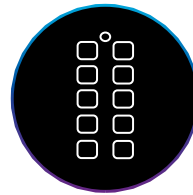
BLUETOOTH



WIFI



CLOUD



PIN
CODE



FINGERPRINT

b NOVA

MOTORIZED LOCK

b DIGIT

BLE NUMERICAL KEYBOARD

b TRACK

BLE FINGERPRINT READER

b KEY

BLE KEYFOB

b OPEN

STAND-ALONE DEVICE FOR DRY CONTACT

b BRIDGE

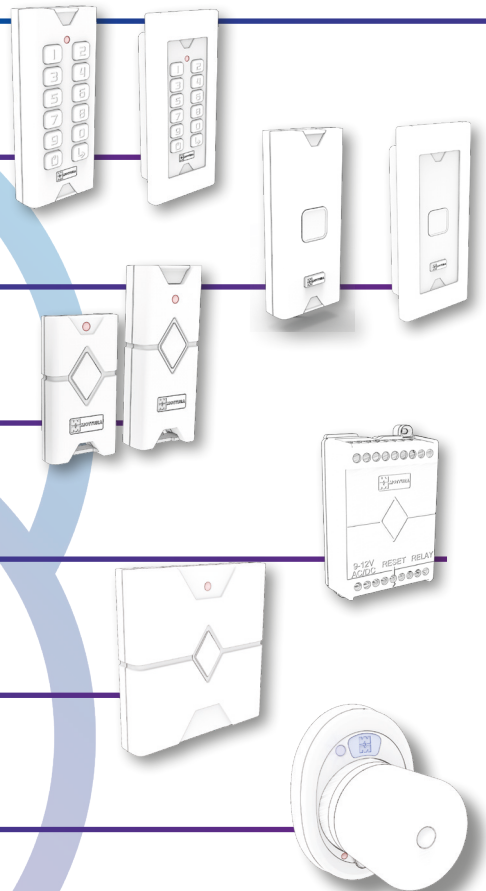
DEVICE FOR CLOUD CONNECTION

b MOTO

MOTORIZED KNOB

b BLOCK

LOCK WITH ELECTROMAGNETIC BLOCK



WE **b** TECHNOLOGY

**WEB BASED
REMOTE ACCESS CONTROL**

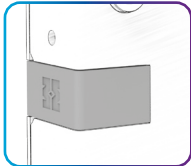
Compatible with WEB apps (desktop) and smartphones (only with bBRIDGE)



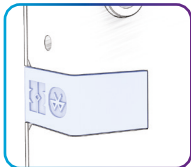
b NOVA

Basic version recognizable by the **GRAY** insert. The lock can be managed, for use only in proximity, by Mottura peripherals (with relay module) or by other peripherals with the aid of the remote control (supplied).

It does NOT include use via the App.

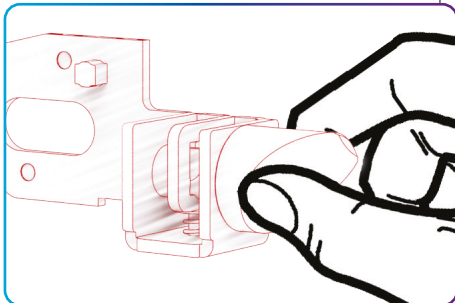


BT.L....
BT.M....



BT.B....
BT.G....

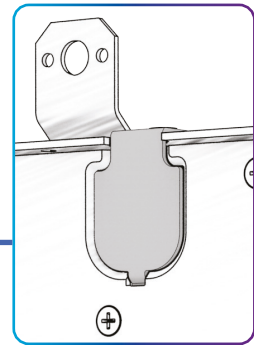
Integrated Bluetooth version, recognizable by the **BLUE** insert, allows data transmission without wiring, communicating with peripherals via BLE (Bluetooth low Energy) connection.



Reversible latchbolt. The inversion of the lock opening hand takes place simply with the manual rotation of the latch.

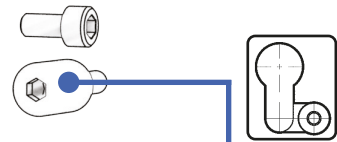
261,5

Bigger box. The box size has been slightly modified compared to the standard 254 mm

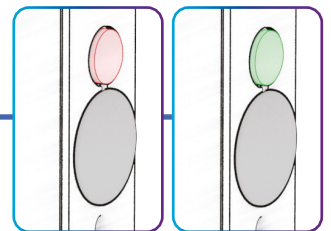


BT.M.... - BT.G....

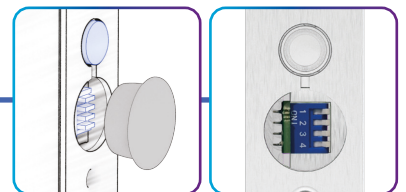
QUICK RELEASE exit handle version. A special manganese reinforcement plate to protect the handle square.



Special "Mottura" front attachment.



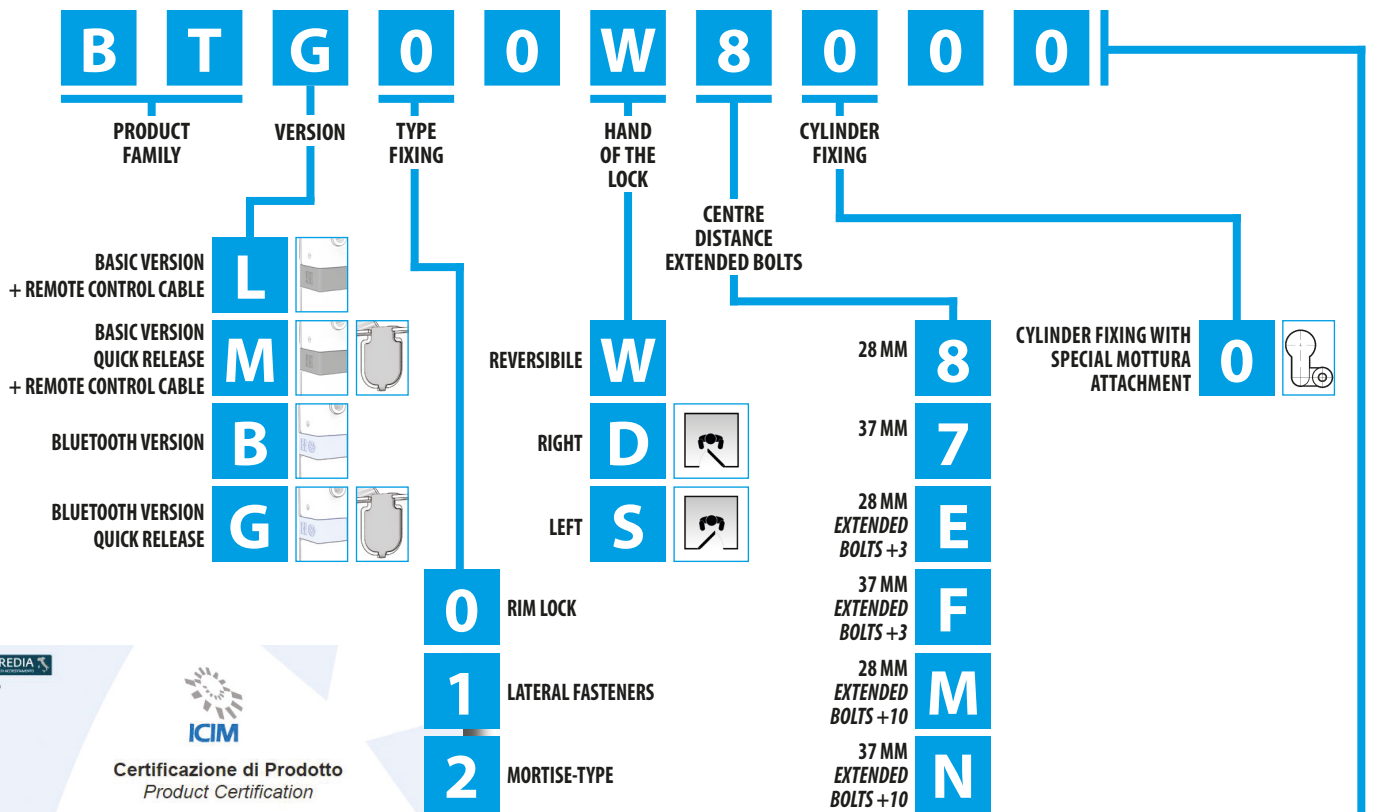
Door status sensor with LED for light indications.



DIP-Switch - Access to switches useful for carrying out **lock settings** in the **BASIC version** or **RESET ONLY** in the **Bluetooth version**.

MOTORIZED LOCK	BASIC VERSION	BLE VERSION
	BT.L... BT.M...	Bluetooth BT.B.. BT.G...
Internal diagnostic system	✓	✓
Integrated magnetic relocking sensor	✓	✓
Mains or battery powered	✓	✓
Front signaling LED (door status signaling)	✓	✓
Ble (Bluetooth low energy)		✓
Controlled and managed by bMOTTURA + bWEBTECHNOLOGY App system		✓
Up to 100 supported devices (smartphones, peripherals, codes, etc.)		✓
Integrated access control (historical storage of 1000 events and time control)		✓
Managed both near and remote via cloud with or without bridge		✓

THE CODING



ACCREZIA
REG. N° 2543

ICIM

Certificazione di Prodotto
Product Certification

Certificato N.
Certificate No. **ICIM-EST-000020-00**

ALL'AZIENDA / TO THE FIRM

MOTTURA SERRATURE DI SICUREZZA S.p.A.
Strada Antica di Francia, 34
10057 SANT'AMBROGIO DI TORINO (TO) - IT

UNITA' OPERATIVE / OPERATIVE UNITS
Strada Antica di Francia, 34
10057 SANT'AMBROGIO DI TORINO (TO) - IT

PER I SEGUENTI PRODOTTI / FOR THE FOLLOWING PRODUCTS:
SERRATURA AD AZIONAMENTO ELETTROMECCANICO
ELECTROMECHANICALLY OPERATED LOCK

CON DENOMINAZIONE COMMERCIALE / WITH TRADE NAME(S)
Brand: **MOTTURA B TECHNOLOGY**

Serie: **B-NOVA**

Modello: Vedi tabella in allegato
Model: See annex table

Classificazione: Vedi tabella in allegato
Classification: See annex table

Caratteristiche: vedi Allegato / Characteristics: see Annex

CONFORMEMENTE AL DOCUMENTO NORMATIVO ICIM / IN COMPLIANCE WITH CONFORMATIVE DOCUMENT
ICIM 0077CS

CONFORMEMENTE ALLA NORMA / IN COMPLIANCE WITH THE STANDARDS:
UNI EN 14846:2008 / EN 14846:2008

Il presente Certificato di Prodotto è valido solo se accompagnato dal relativo Allegato / This Certificate is valid only with the relative Annex

Vincenzo DeLuca
Rappresentante Commerciale / Representative
ICIM S.p.A.

PRIMA EMISSIONE / FIRST ISSUE: 30/10/2023
EMISSIONE CORRENTE / CURRENT ISSUE: 30/10/2023
DATA DI SCADENZA / EXPIRY DATE: 29/10/2026

ICIM S.p.A. - Piazza Don Enrico Mattei, 78 - 27039 Sesto San Giovanni (PS)
Sezione specializzata all'attività di direzione e coordinamento di ICIM (SRL) di cui è

OPTIONAL LED

Code 99B0001001

LED BOARD EXTERNAL INSTALLED

B

SUPPLIED

Security locks with block lever on deadbolts

Use **MOTTURA Defender®**

Defender®
is a registered MOTTURA trademark

WE RECOMMEND USING **CHAMPIONS® SECURITY CYLINDERS**

CHAMPIONS
NEW GENERATION HIGH SECURITY CYLINDERS

Assembly example with Defender® DF (not included).

BT.L00/L20



Characteristics

Cylinder lock
WITH DOUBLE FUNCTION:
 - HOUSE DOOR
 - BUILDING ENTRANCE

Variation in centre distance:/28 -/37
BATTERY (with battery holder art.99703/99704)
 or **MAINS** (with cable 99801 + power supply 99798)
 operated lock with mainboard inside the lock,
 accessories not included to be ordered separately.
 For **dual power supply** needs, use the specific
 adapter **99B0001004** NOT included.

- Three-points
 - Cylinder and handle backset 63 mm
 - Round bolts Ø mm 18 with 29 mm travel
 - Bar travel 20 mm
- Zinc-Plated finish

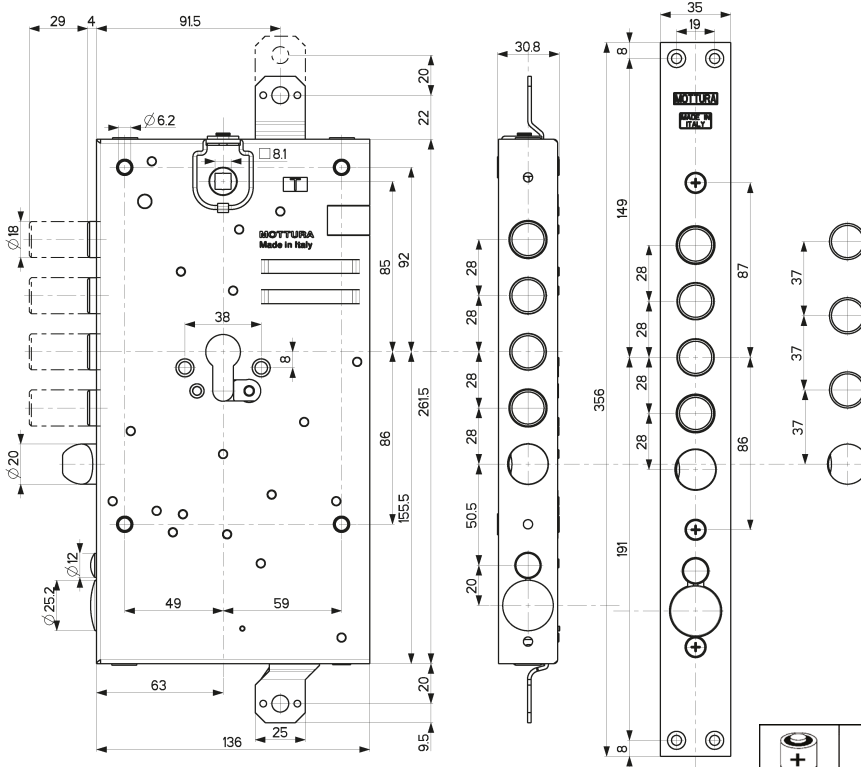
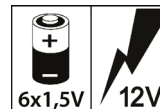
The item can be reversed.

Magnetic door status sensor

Combine with Defender®
 TOP SYSTEM, BASIC, DF..

Product certified according to
 UNI EN 14846 / EN 14846

Si RACCOMANDA di utilizzare
 cilindri di sicurezza CHAMPIONS



RIM LOCK

MORTISE-TYPE

BT.L00W8/7 BT.L20W8/7

Zinc-Plated

Three-points for cylinder

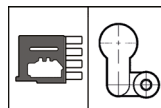
Lock with Ø 20 mm latchbolt activated by cylinder and 8 handle square.

Reversible latchbolt.

Complete with cable remote control. art. 99.802

To be combined with internal button art. 99.689/739/759/792
 or remote button with closing contact.

Cylinders, reinforcements and other accessories are **NOT** included.



BT.B00W8/7 BT.B20W8/7

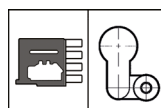
Zinc-Plated

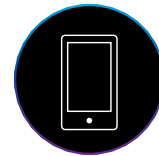
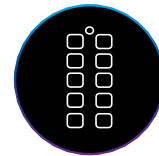
Three-points for cylinder - BLE (Bluetooth low Energy)

Lock with Ø 20 mm latchbolt activated by cylinder and 8 handle square.

Reversible latchbolt.

Cylinders, reinforcements and other accessories are **NOT** included.





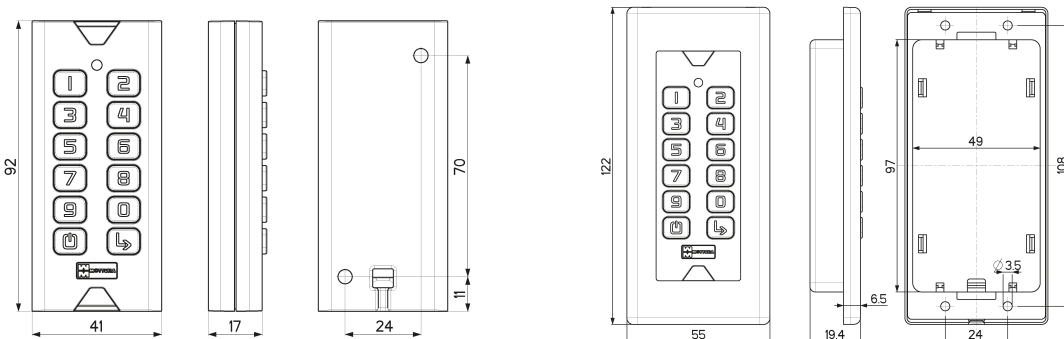
- Numeric keyboard
- Controlled and managed by bMOTTURA app system + bWEBTECHNOLOGY (only with bBRIDGE)
- Pairing from master smartphones
- Codes managed by master smartphones through bMOTTURA App manageable on time slots for access control system integrated to the lock
- Finishes: Black , Satin Chrome
- Battery or mains power
- Ble (*Bluetooth low energy*) vers.5 integrated
- Available in version surface moun or built-in

bMOTTURA

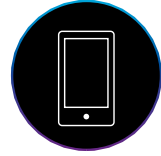


Management via smartphone apps

DATASHEET



<h3>99BDGTN001</h3> <p>Finish Black</p> <p>External escutcheon surface mount (41 x 92 x 17 mm) BLUETOOTH LOW ENERGY with numeric keyboard BATTERY POWER (2xCR2032 included)</p>		<h3>99BDGTxx03</h3> <table border="1"> <thead> <tr> <th></th> <th>Finish</th> </tr> </thead> <tbody> <tr> <td>99BDGTN003</td> <td>(N) Black anodised</td> </tr> <tr> <td>99BDGTCS03</td> <td>(CS) Satin chrome</td> </tr> </tbody> </table> <p>External built-in escutcheon (55 x 122 x 19,4 mm) BLUETOOTH LOW ENERGY with numeric keyboard complete with escutcheon 99Bxx01003 BATTERY POWER (2xCR2032 included)</p>		Finish	99BDGTN003	(N) Black anodised	99BDGTCS03	(CS) Satin chrome	
	Finish								
99BDGTN003	(N) Black anodised								
99BDGTCS03	(CS) Satin chrome								
<h3>99BDGTN002</h3> <p>Finish Black</p> <p>External escutcheon surface mount (41 x 92 x 17 mm) BLUETOOTH LOW ENERGY with numeric keyboard MAINS POWER (7-12V DC) to be used with power cable 99.803 included</p>		<h3>99BDGTxx04</h3> <table border="1"> <thead> <tr> <th></th> <th>Finish</th> </tr> </thead> <tbody> <tr> <td>99BDGTN004</td> <td>(N) Black anodised</td> </tr> <tr> <td>99BDGTCS04</td> <td>(CS) Satin chrome</td> </tr> </tbody> </table> <p>External built-in escutcheon (55 x 122 x 19,4 mm) BLUETOOTH LOW ENERGY with numeric keyboard complete with escutcheon 99Bxx01003 MAINS POWER (7-12V DC) to be used with power cable 99.803 included</p>		Finish	99BDGTN004	(N) Black anodised	99BDGTCS04	(CS) Satin chrome	
	Finish								
99BDGTN004	(N) Black anodised								
99BDGTCS04	(CS) Satin chrome								



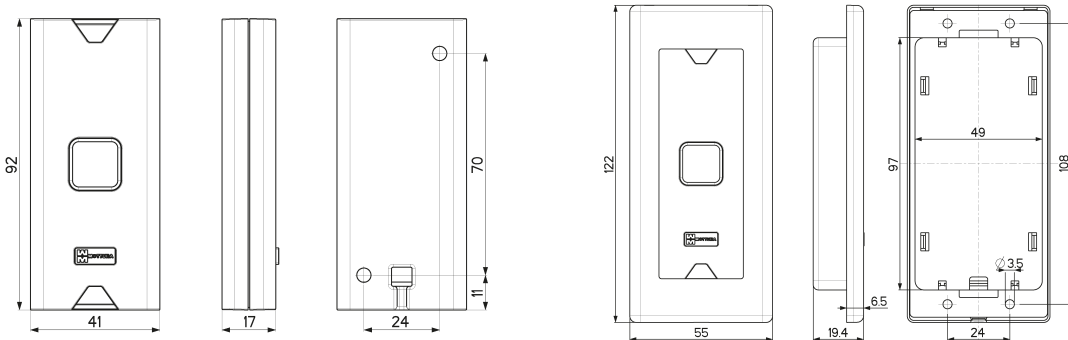
- Biometric fingerprint reader
- Controlled and managed by bMOTTURA app system + bWEBTECHNOLOGY (only with bBRIDGE)
- Pairing from master smartphones
- Codes managed by master smartphones through bMOTTURA App manageable on time slots for access control system integrated to the lock
- Finishes: Black , Satin Chrome
- Battery or mains power
- Ble (*Bluetooth low energy*) vers.5 integrated
- Available in version surface moun or built-in

bMOTTURA

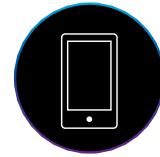
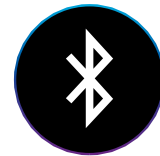


Management via smartphone apps

DATASHEET



<h3>99BTRKN001</h3> <p>Finish Black</p> <p>External escutcheon surface mount (41 x 92 x 17 mm) BLUETOOTH LOW ENERGY with biometric fingerprint reader BATTERY POWER (2xCR2032 included)</p> 	 	<h3>99BTRKxx03</h3> <table border="1"> <thead> <tr> <th></th> <th>Finish</th> </tr> </thead> <tbody> <tr> <td>99BTRKN003</td> <td>(N) Black anodised</td> </tr> <tr> <td>99BTRKCS03</td> <td>(CS) Satin chrome</td> </tr> </tbody> </table> <p>External built-in escutcheon (55 x 122 x 19,4 mm) BLUETOOTH LOW ENERGY with biometric fingerprint reader complete with escutcheon 99Bxx01003 BATTERY POWER (2xCR2032 included)</p> 		Finish	99BTRKN003	(N) Black anodised	99BTRKCS03	(CS) Satin chrome	 
	Finish								
99BTRKN003	(N) Black anodised								
99BTRKCS03	(CS) Satin chrome								
<h3>99BTRKN002</h3> <p>Finish Black</p> <p>External escutcheon surface mount (41 x 92 x 17 mm) BLUETOOTH LOW ENERGY with biometric fingerprint reader MAINS POWER (7-12V DC) to be used with power cable 99.803 included</p> 	 	<h3>99BTRKxx04</h3> <table border="1"> <thead> <tr> <th></th> <th>Finish</th> </tr> </thead> <tbody> <tr> <td>99BTRKN004</td> <td>(N) Black anodised</td> </tr> <tr> <td>99BTRKCS04</td> <td>(CS) Satin chrome</td> </tr> </tbody> </table> <p>External built-in escutcheon (55 x 122 x 19,4 mm) BLUETOOTH LOW ENERGY with biometric fingerprint reader complete with escutcheon 99Bxx01003 MAINS POWER (7-12V DC) to be used with power cable 99.803 included</p> 		Finish	99BTRKN004	(N) Black anodised	99BTRKCS04	(CS) Satin chrome	 
	Finish								
99BTRKN004	(N) Black anodised								
99BTRKCS04	(CS) Satin chrome								



- Keyfob with or without key inside
- Controlled and managed by bMOTTURA app system + bWEBTECHNOLOGY (only with bBRIDGE)
- bKEY manageable on time slots for access control system integrated to the lock
- Pairing from master smartphones
- Battery power
- Ble (*Bluetooth low energy*) vers.5 integrated
- Can be associated with up to a maximum of 10 locks

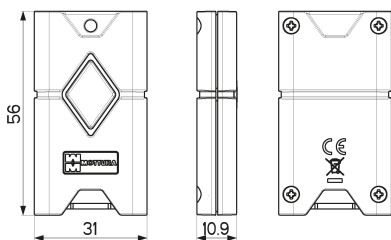
bMOTTURA



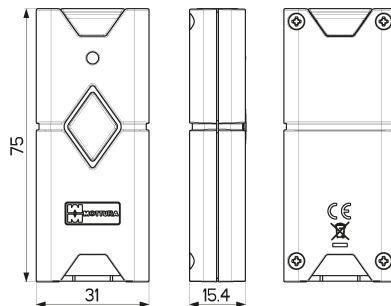
Management via smartphone apps

DATASHEET

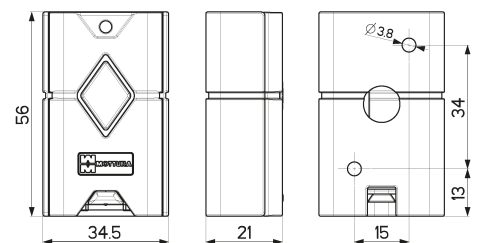
99BKEY0001



99BKEY0002



99BKEY0003



99BKEY0001

Finish

Black

KEYfob (31 x 56 x 10,9 mm)
BLUETOOTH LOW ENERGY
BATTERY POWER (1 x CR2032 included)



99BKEY0002

Finish

Black

KEYfob (31 x 75 x 15,4 mm)
BLUETOOTH LOW ENERGY
with the possibility of integrated key (not included)
BATTERY POWER (1x CR2032 included)



99BKEY0003

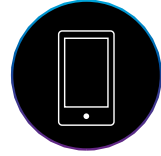
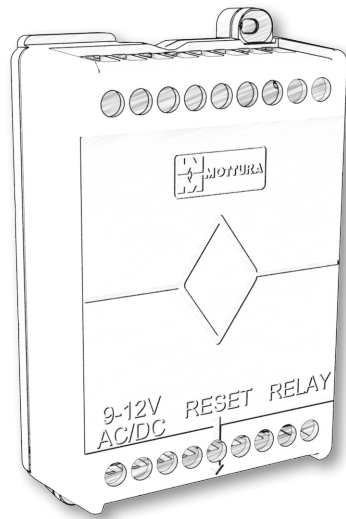
Finish

Black

KEYfob (34,5 x 56 x 21 mm)
BLUETOOTH LOW ENERGY
BATTERY POWER (1 x CR2032 included)
Complete with support 99B0001000



EXAMPLE
99BKEY0002
WITH KEY
INTEGRATED



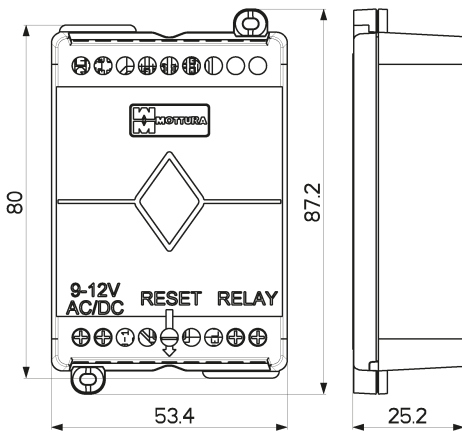
- Dry contact opening interface
- Controlled and managed by bMOTTURA app system + bWEBTECHNOLOGY
- Up to 100 supported devices (smartphones, peripherals, codes, etc.)
- Compatible with any type of lock with clean contact
- Integrated Access Control (1000 events history and time control)
- Managed in proximity via Bluetooth and remotely via cloud
- 12V mains power or 9V batteries
- Ble (Bluetooth low energy) vers.5 integrated
- Fixing with screws (included) for simple installation

bMOTTURA



Management via smartphone apps

DATASHEET



99B0001002

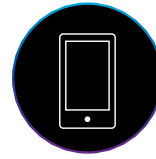
Finish

Black

Dry contact opening interface (53 x 80 x 25 mm)

Compatible with any type of lock with dry contact





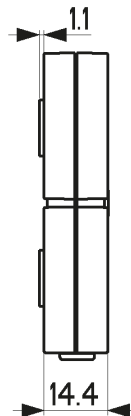
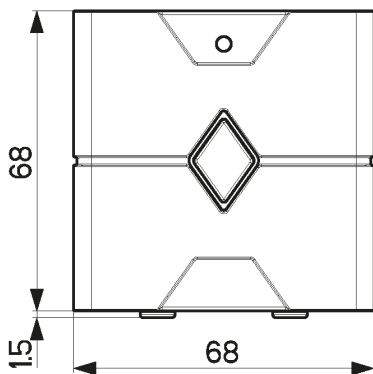
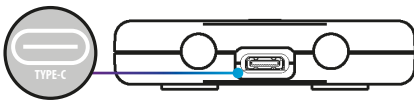
bMOTTURA




Management via smartphone apps

- bBRIDGE that allows you to connect the system to the cloud and manage it remotely, accessing all the data of the lock/knob (access history, diagnostics, unauthorized attempt, remote opening-closing)
- Pairing from master smartphones.
- Controlled and managed by bMOTTURA app system + bWEBTECHNOLOGY.
- Connection to intercom cables and other gates for their management and opening
- Power supply via USB-C cable
- Wifi integrated
- Ble (Bluetooth low energy) vers.5 integrated

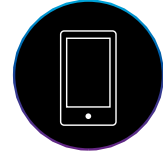
DATASHEET



99BRDG	
Finish	Prezzo €
Black	XXX,73
bBRIDGE for remote management of B-Technology locks and peripherals. Dimensions 68 x 68 x 14,4 mm WiFi integrated	



CE

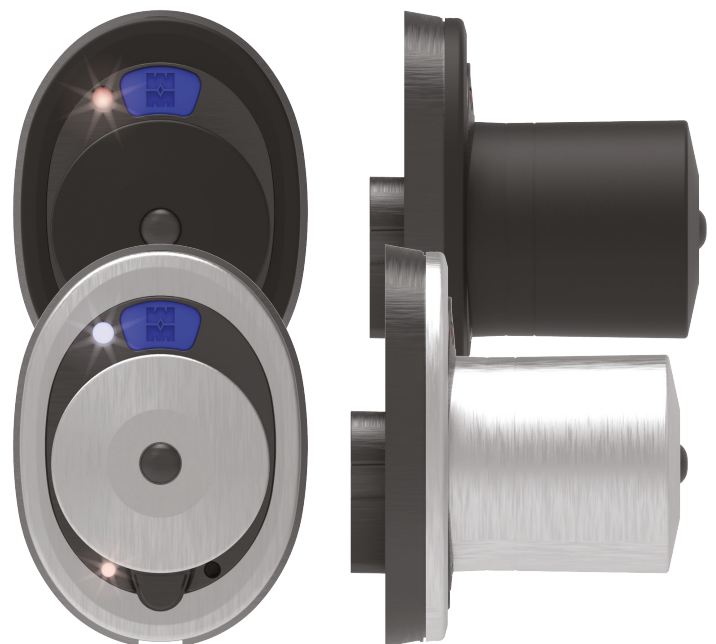
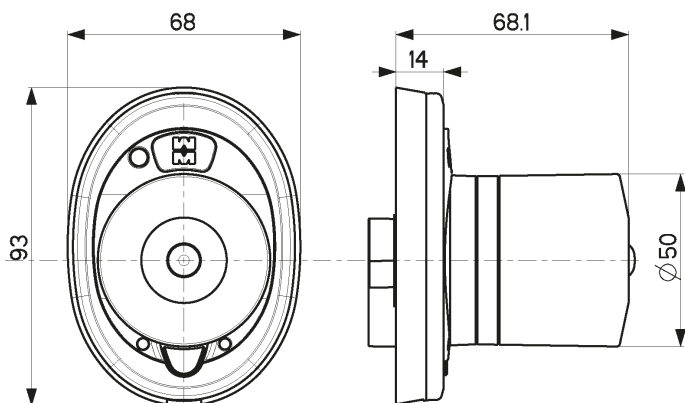


- Motorized electronic knob
- Pairing from master smartphones
- Controlled and managed by bMOTTURA app system + bWEBTECHNOLOGY
- Up to 100 supported devices (smartphones, peripherals, codes, etc.)
- Peripheral management from master smartphone through bMOTTURA App manageable on time slots with Integrated access control (log storage of 1000 events and time control)
- Managed both in proximity and remotely via cloud with or without bridge
- Internal diagnostic system
- Integrated door status detection system without magnet sensor
- For all types of European cylinder locks
- Rechargeable battery powered with special magnetic USB-C cable
- Ble (*Bluetooth low energy*) vers.5 integrated
- Finishes: Black , Satin Chrome
- Accessory available for opening with dry contact

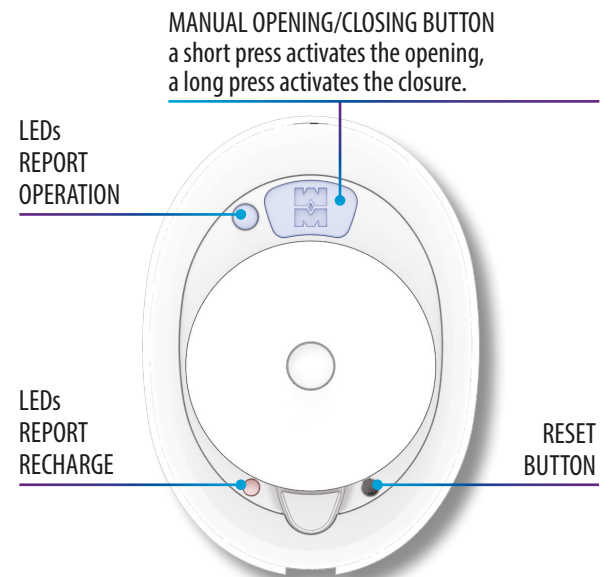
bMOTTURA

Management via
smartphone apps

DATASHEET



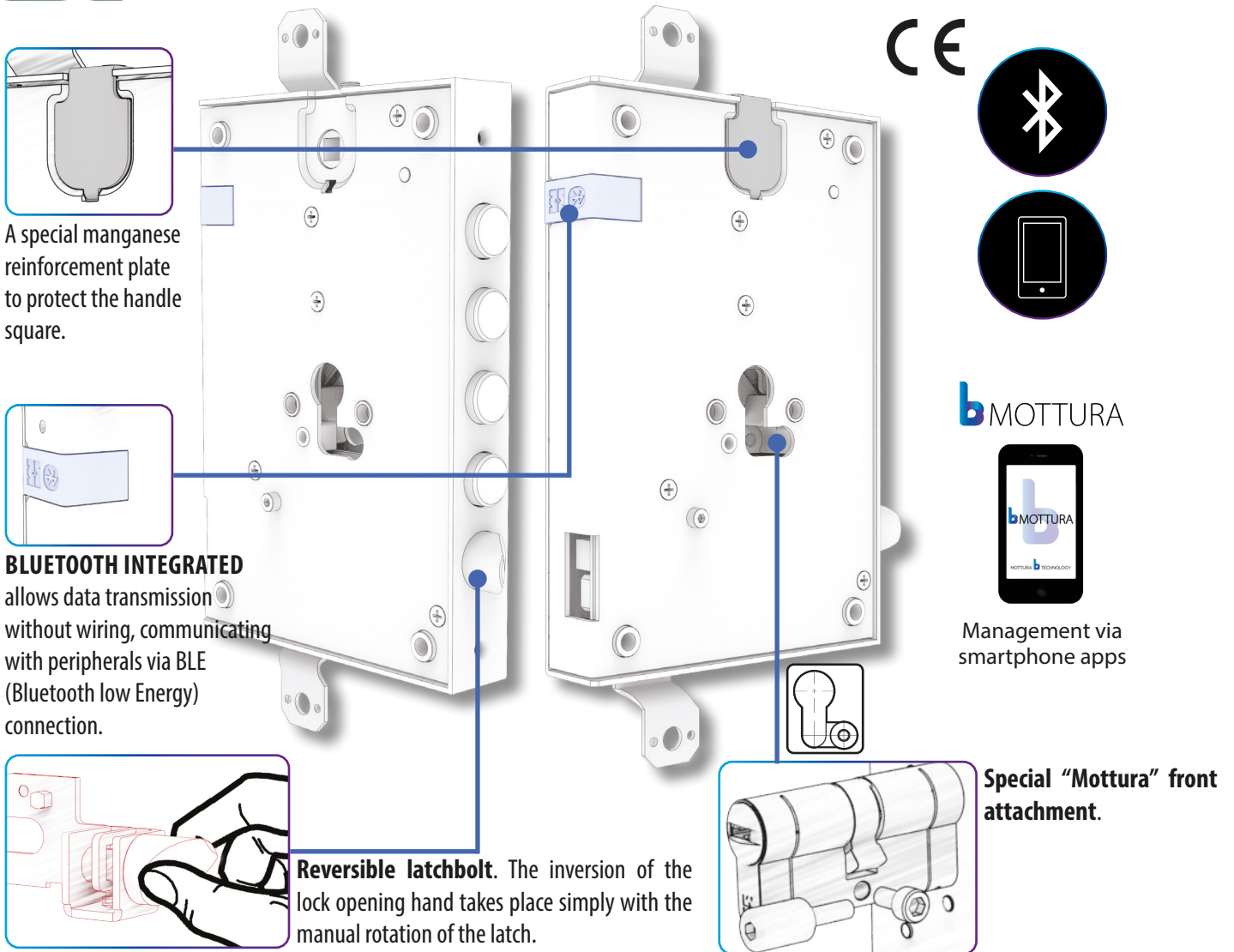
<h1>BMP01..</h1>
Finish
(N) Black anodised
(CS) Satin chrome
<p>B-MOTO MOTORIZED KNOB with oval escutcheon dim. 68 x 93 mm complete with plastic support</p> <p>The box includes :</p> <ul style="list-style-type: none"> - Smart lock - Lock and escutcheon cover according to the finish - special magnetic USB type C cable - power supply - fixing screws <p>Batteries included Product tested according to 2014/53/UE (RED)</p>



IN CASE OF EMERGENCY IT IS POSSIBLE TO TURN THE KNOB MANUALLY FROM THE INSIDE OR USING THE KEY FROM THE OUTSIDE.

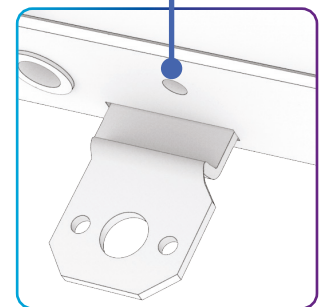
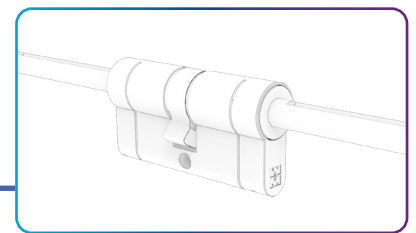
ACCESSORIES

<h3>94.426D/S</h3>		<h3>99.793</h3>	
<p>Fixing plate for cylinder for BMoto/XMoto Package of 5</p>		<p>KEY-STEM connection bushing 8 mm diameter for BMoto/XMoto (for cylinders in key / key version) Package of 1</p>	
<h3>94.427D/S</h3>		<h3>99.794</h3>	
<p>Fixing plate for rim locks series 38 for BMoto/XMoto Package of 5</p>		<p>KNOB-STEM connection bushing 8 mm diameter for BMoto/XMoto (for cylinders in key / fixed knob version) Package of 1</p>	
<h3>94.431</h3>		<h3>99.xxx</h3>	
<p>Escutcheon spacer for BMoto/XMoto Thickness 2.5 mm Package of 5</p>		<p>USB type C cable with magnetic attachment</p>	
<h3>99.786</h3>			
<p>RCR123A rechargeable battery Package of 3</p>			

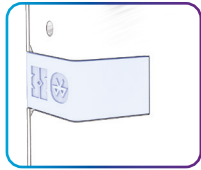


KNOB VERSION

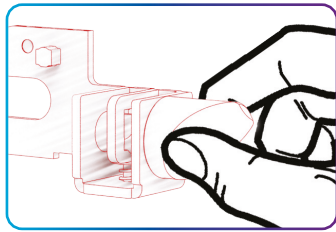
- Electronic lock with electromagnetic block
- Automatic locking of the lock when the bolts are completely closed
- QUICK RELEASE operated INSIDE by handle
- External side lock release controlled via app, dry contact or B-Technology peripherals to allow opening via special double cylinder knob/knob or standard double cylinder
- Reset function available via button on the box lock or via App.
- Buzzer with acoustic operating signals
- Pairing from master smartphones
- Door status available from app in real time
- Controlled and managed by bMOTTURA app system + bWEBTECHNOLOGY
- Up to 100 supported devices (smartphones, peripherals, codes, etc.)
- Peripheral management from master smartphone through bMOTTURA App manageable on time slots with Integrated access control (storage of logs of 1000 events and time control)
- Managed both in proximity and remotely via cloud with or without bridge
- For all types of European cylinder doors
- 12V mains power or 9V batteries
- Ble (*Bluetooth low energy*) vers.5 integrated



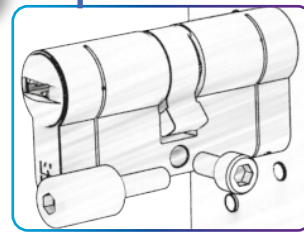
OPENING / CLOSING
mechanically with handle



BLUETOOTH INTEGRATED
allows wireless data
transmission,
communicating with
peripherals via BLE (Bluetooth
low Energy) connection.

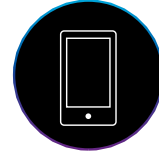


Reversible latchbolt. The inversion of the
lock opening hand takes place simply with the
manual rotation of the latch.



**Special "Mottura" front
attachment.**

CE



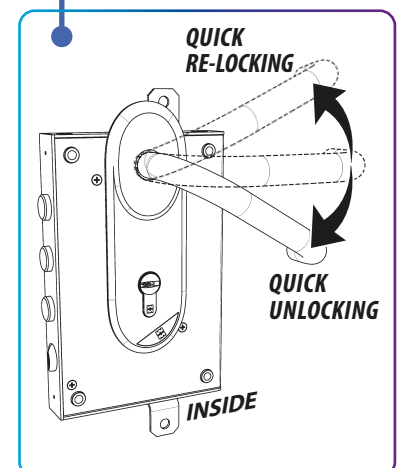
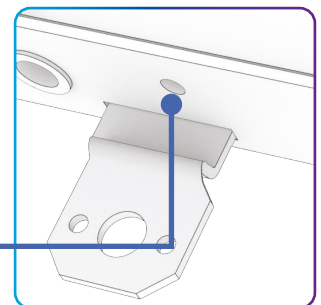
bMOTTURA

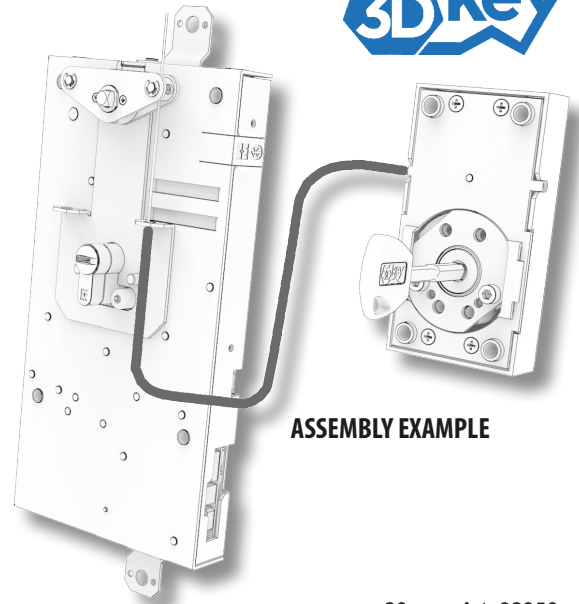
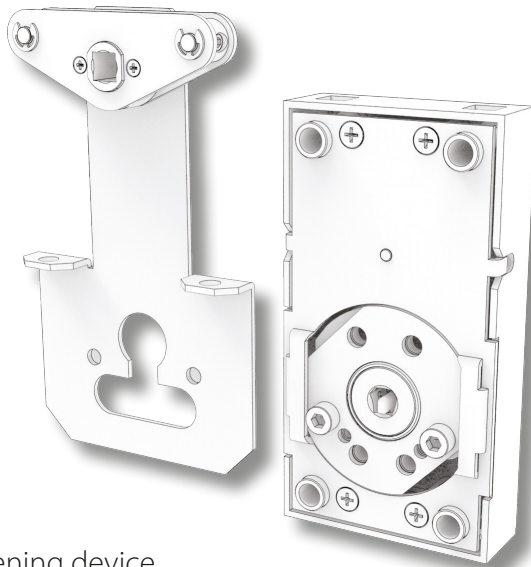


Management via
smartphone apps

HANDLE VERSION

- Electronic lock with electromagnetic block
- Automatic locking of the lock when the bolts are completely closed
- QUICK RELEASE and RE-LOCKING operated INSIDE by handle
- External side lock release controlled via app, dry contact or B-Technology peripherals to allow opening with handle
- Double cylinder for emergency lock release
- Reset function available via button on the box lock or via App.
- Buzzer with acoustic operating signals
- Pairing from master smartphones
- Door status available from app in real time
- Controlled and managed by bMOTTURA app system + bWEBTECHNOLOGY
- Up to 100 supported devices (smartphones, peripherals, codes, etc.)
- Peripheral management from master smartphone through bMOTTURA App manageable on time slots with Integrated access control (storage of logs of 1000 events and time control)
- Managed both in proximity and remotely via cloud with or without bridge
- For all types of European cylinder doors
- 12V mains power or 9V batteries
- Ble (*Bluetooth low energy*) vers.5 integrated

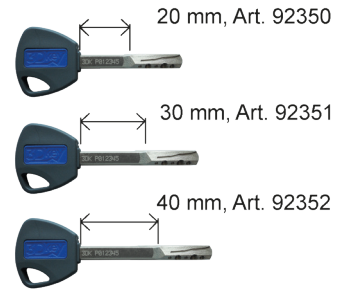




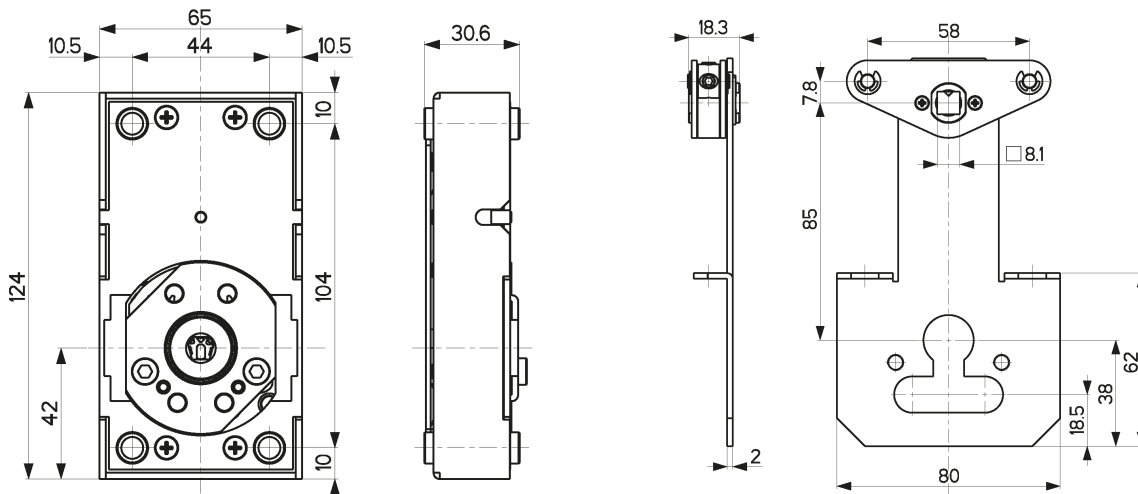
ASSEMBLY EXAMPLE

Emergency opening device for easy-to-install quick release locks with lock that can also be positioned outside the door.

- Fixing of the lock via front attachments or lateral attachments
 - Versions with cable length of 2000/4000 mm
 - Manganese steel plate on the external side to protect the nucleo
- On request the locks can be supplied with 3/5 keys:
- keys mm 20 art. 92350
 - keys mm 30 art. 92351
 - keys mm 40 art. 92352



DATASHEET



EXTERNAL PLATE
To protect the nucleo on the outside is present a manganese plate



REPLACEMENT NUCLEO
3D100...



ACCESSORIES ON REQUEST



99108







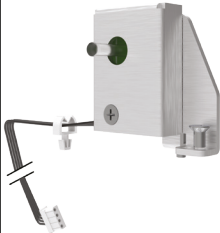



99110

CONNECTION CABLE

<h3>99.703</h3>		<h3>99.704</h3>			
Wired 9V tubular battery holder (6 batteries "D" type - NOT included). Cable length approx. 1800 mm Dimensions 96x46x208 mm		Wired 9V battery holder (6 batteries "D" type - NOT included). Cable length approx. 1800 mm Dimensions 156x42x208 mm			
<h3>99.801</h3>		<h3>99.802</h3>		<h3>99.803</h3>	
Connecting cable lock - adapter. Cable length approx. 4000 mm In combination with art. 99.798		Connection cable (4 pin) REMOTE CONTROL INCLUDED WITH BNOVA BASIC VERSION Cable length approx. 4000 mm		Connection cable (2 pin) BDigit / BTrack power supply Cable length approx. 4000 mm	

ACCESSORIES

<h3>99.144</h3>		<h3>99.795</h3>		<h3>99.648</h3>			
Steel grommet enamelled black Box dimensions 258x22 mm Depth 22 mm External dimensions 292x37 mm		Spring steel grommet Dimensions: length mm 90 - Ø15 mm		Magnet with increased intensity for locks sensor.			
<h3>99B0001004</h3>		<h3>99.798</h3>					
Adapter for dual MAINS/BATTERY power supplies for BNOVA locks.		Mains adapter (Transformer + Charger) Input 100-240 VAC - 1.8A - 50/60 Hz Output 12V - 4.5 A max Dimensions 52x90x58 mm					
<h3>94.348..</h3>		<h3>99B0001000</h3>					
<table border="1"> <tr> <th>Finish</th> </tr> <tr> <td>Nichelata</td> </tr> </table> Striker plate for locks with magnetic door status sensor. Variation in centre distance: 28/37 Specify in the order Dimensions 356x35x3 mm	Finish	Nichelata		<table border="1"> <tr> <th>Finish</th> </tr> <tr> <td>Black</td> </tr> </table> Holder for KEYFOB Dimensions 34.5 x 56 x 16.2 mm	Finish	Black	
Finish							
Nichelata							
Finish							
Black							
<h3>99B0001001</h3>		<h3>99Bxx01003</h3>					
Door status signaling LED KIT additional for door panel complete with light guide and fixing screws		<table border="1"> <tr> <th>Finish</th> </tr> <tr> <td>99BN001003 (N) Anod.Black</td> </tr> <tr> <td>99BCS01003 (CS) Satin chrome</td> </tr> </table> Support with escutcheon for BDIGIT and BTRACK for built-in installation.	Finish	99BN001003 (N) Anod.Black	99BCS01003 (CS) Satin chrome		
Finish							
99BN001003 (N) Anod.Black							
99BCS01003 (CS) Satin chrome							

BNOVA BT.L.../BT.M... - HOME CONFIGURATIONS

INTERNAL SIDE

- PUSHBUTTON**
99.689 - 99.739
99.759 - 99.792
- QUICK RELEASE OPERATED BY HANDLE**
BT.M.... VERSION
- GENERIC DEVICE DRY CONTACT ONLY**
(INTERCOM, ETC...)

CABLE 99.802 SUPPLIED

CABLE 99.802 SUPPLIED

CABLE 99.802 SUPPLIED

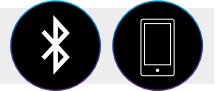
CABLE 99.802 SUPPLIED

EXTERNAL SIDE

- KEYBOARD + TRANSPONDER READER (XDIGIT)**
- RELAY MODULE REQUIRED WITH MOTTURA DEVICE**
- FINGERPRINT + TRANSPONDER READER (XTRACK)**
- TAG (REQUIRED FOR PROGRAMMING)**
- GENERIC DEVICE DRY CONTACT ONLY (KEYPADS, ETC...)**

MAINS OPERATED MAINS ADAPTER 99.798
 12V
 BATTERY OPERATED WIRED BATTERY HOLDER 99.703 - 99.704
 6x1.5V

BNOVA BT.B.../BT.G... - HOME / B&B CONFIGURATIONS



INTERNAL SIDE

- APP B-MOTTURA**
ANDROID/IOS
- BKEY**
- QUICK RELEASE OPERATED BY HANDLE**
BT.G.... VERSION
- PUSHBUTTON**
99.689 - 99.739
99.759 - 99.792
- GENERIC DEVICE DRY CONTACT ONLY**
(INTERCOM, ETC...)

POSSIBILITY OF USE OF INTERNAL PERIPHERALS THROUGH CABLE 99.802 NOT SUPPLIED

LOCK CONFIGURATION VIA SMARTPHONE APP ONLY RESET VIA DIP-SWITCH

EXTERNAL SIDE

- APP B-MOTTURA**
ANDROID/IOS
- BDIGIT**
- BTRACK**
- BKEY**
- OPENING MOTTURA DEVICE**
- OPENING NOT MOTTURA DEVICE**

POSSIBILITY OF USE OF INTERNAL PERIPHERALS THROUGH CABLE 99.802 NOT SUPPLIED

MAINS OPERATED MAINS ADAPTER 99.798
 12V
 BATTERY OPERATED WIRED BATTERY HOLDER 99.703 - 99.704
 6x1.5V

NOTE: For MOTTURA accessories and peripherals not present in this section, refer to the X-Technology chapter of the MOTTURA SPARE PARTS price list.