

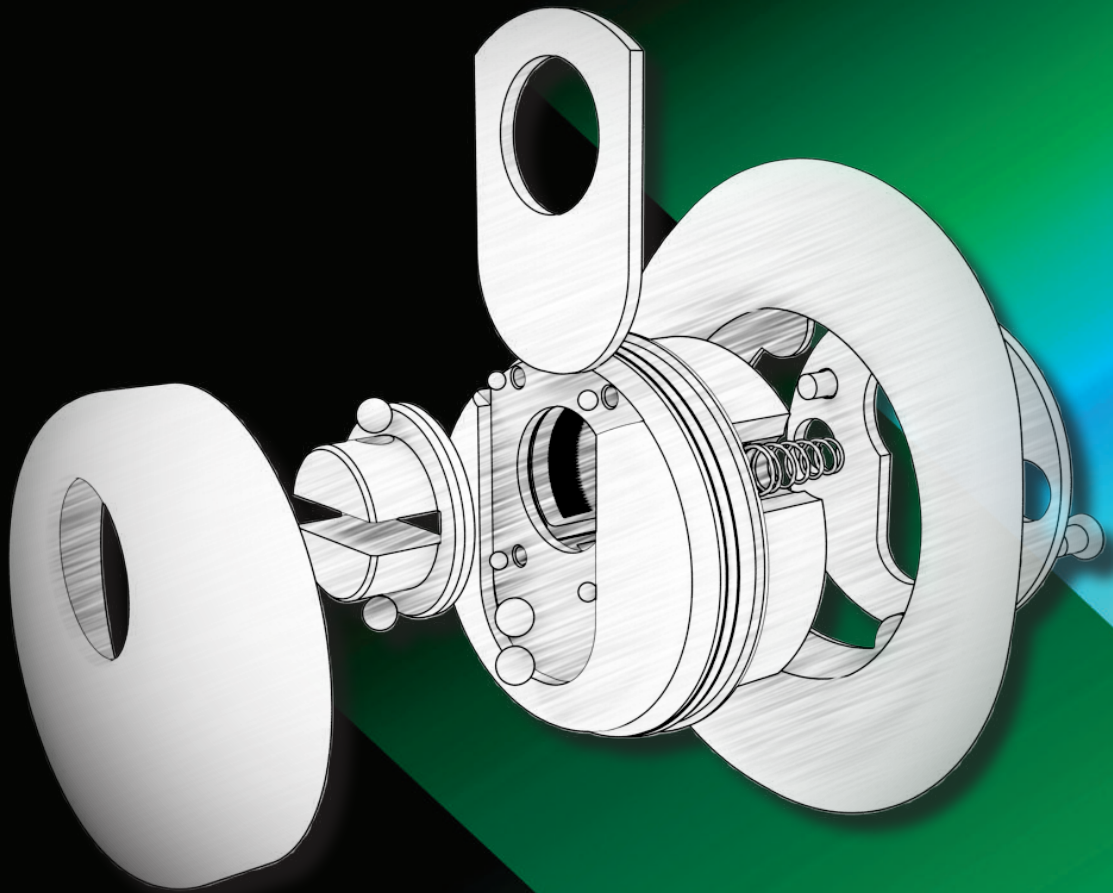
 Defender®

MADE  
IN  
ITALY

The **first**

Defender®

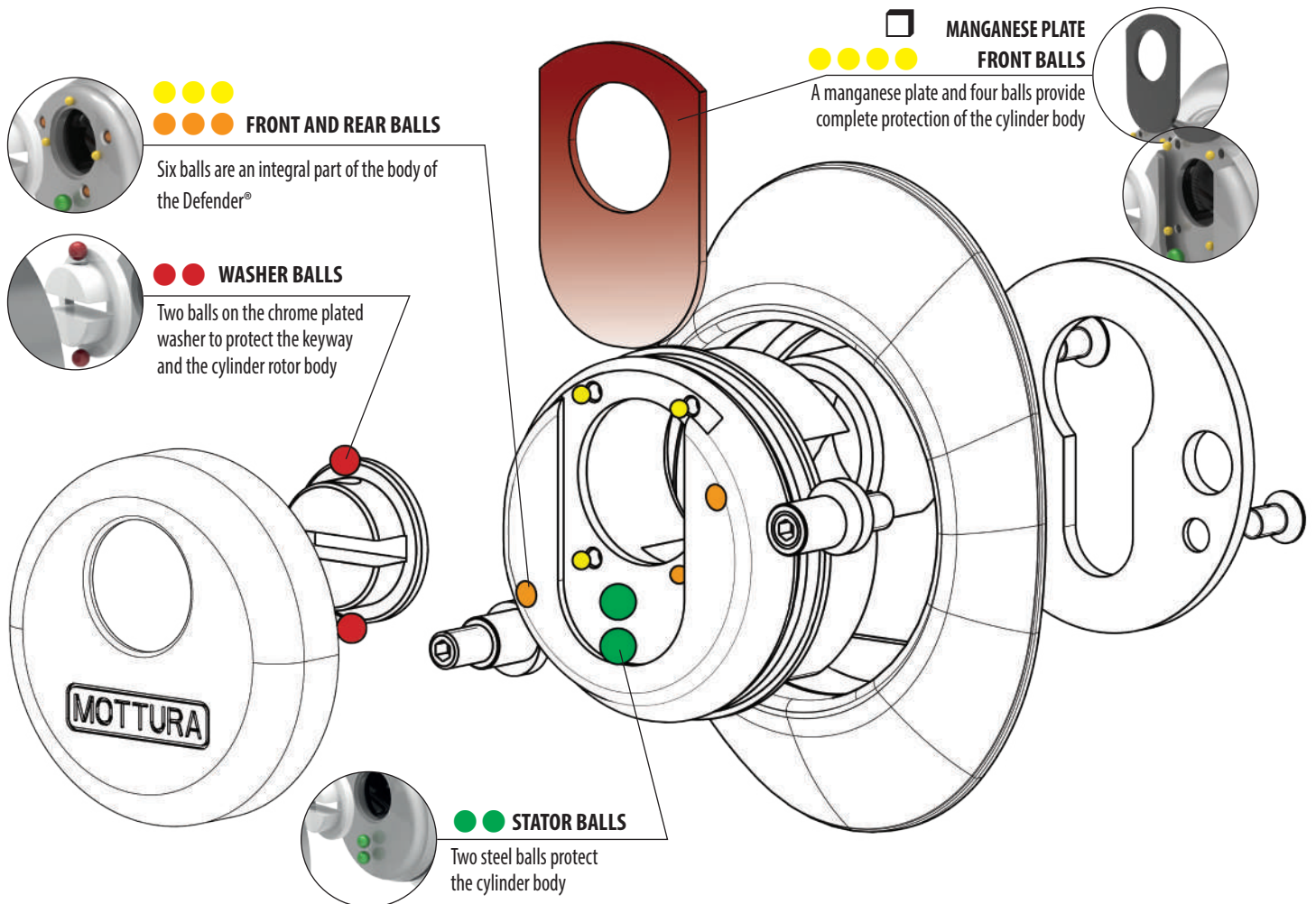
DF



*safeguarding your security*

## Defender® - ACTIVE PROTECTION

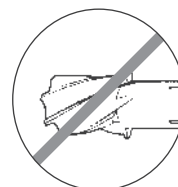
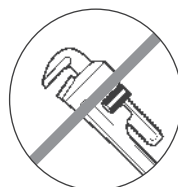
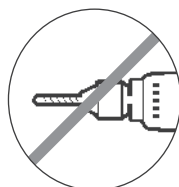
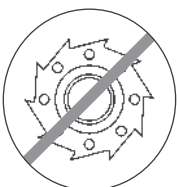
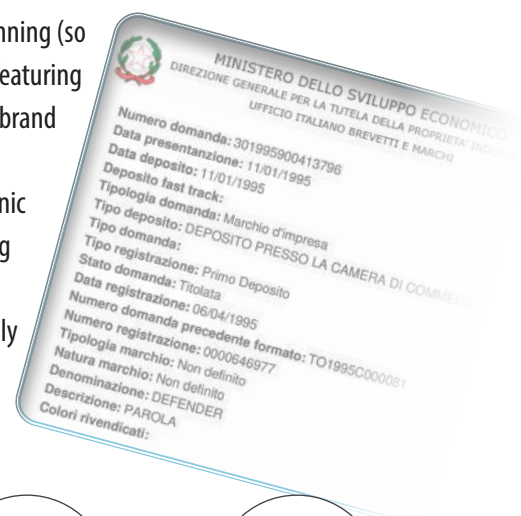
The Mottura Defender® (Europrofile cylinder lock) protectors are sophisticated active mechanisms, whose design performance, with attention to every detail, stops break-ins. Each of the security systems was designed to prevent localized action by an external agent used to disable locks such as disk grinders, drills, pliers, milling cutters or iron pipes. Steel balls and pins have been strategically arranged to deflect drill bits, to protect the keyway and to prevent the Defender's cylinder body from rotating. Shutters are made of hardened steel (manganese).



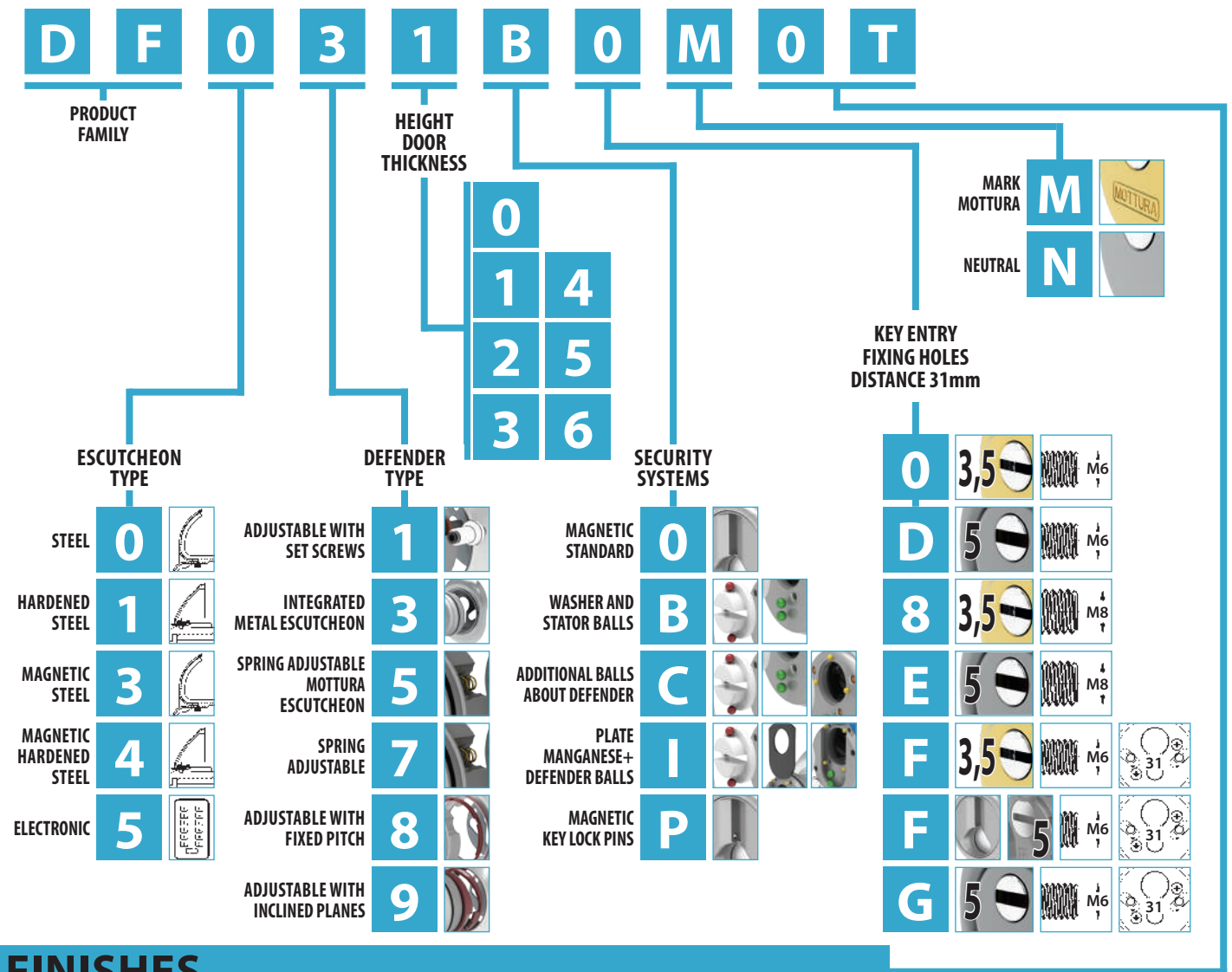
Mottura, who has been convinced of the importance of the Defender systems from the very beginning (so much so that it gave them their name), presents the complete range of cylinder lock protectors, featuring high level technology and maximum flexibility in their application. All this confirms the Mottura brand as industry leader.

Available in different models, from the fully tested Top System on up to the magnetic and electronic versions, in standard or adjustable sizes, these locks have been designed to work on every existing door.

With seven different finishes and three different internal protection systems, which can be variably combined at different levels featuring two keyway sizes and two different diameters for the mounting screws, the new Mottura Defender® lock Protectors are the most flexible and up-to-date solution on the market.



# Defender® - CODING



## FINISHES



## Defender® - SECURITY GRADES

Mottura Defender® protectors feature increasing security grades that contribute to defining **5 progressive levels of security**, plus a “premium” category with innovative “Magnetic” and “Electronic” Defenders.

Each level contains a suggested scope.

<p>Defender® <b>T.ZETA</b> Defender® <b>B.ZETA</b></p> <p>Level</p>	<p>Defender® <b>B VERSION</b> Defender® <b>BASIC-BASIC DIERRE</b></p> <p>Level</p>	<p>Defender® <b>C VERSION</b></p> <p>Level</p>	<p>Defender® DF05/07.. <b>I VERSION</b></p> <p>Level</p>	<p>Defender® DF09/11/17.. <b>I VERSION</b> Defender® <b>TOP SYSTEM</b></p> <p>Level</p>	<p><b>MAGNETIC</b> Defender®</p> <p><b>ELECTRONIC</b> Defender®</p>
<p>Level 1 Defender® protectors are recommended for the protection of locks for cellars and technical doors.</p>	<p>Level 2 Defender® protectors are recommended for the protection of gates and doors to technical areas.</p>	<p>Level 3 Defender® protectors are recommended for the protection of building entrances.</p>	<p>Level 4 Defender® protectors are recommended for the protection of entrance doors to apartments, storerooms and professional offices.</p>	<p>Level 5 Defender® protectors are recommended for the protection of entrance doors to apartments, storerooms, businesses and professional offices.</p>	<p>The Defender® Premium protectors are recommended for the protection of all types of entrances from apartments to large companies.</p>
<b>Level 1</b>	<b>Level 2</b>	<b>Level 3</b>	<b>Level 4</b>	<b>Level 5</b>	<b>Premium</b>

# DF03

This is the SIMPLE Defender®, available in 4 different THICKNESSES with 2 security VERSIONS (B/C). Perfect for replacing existing or previous protections if you already know the door thickness.

MADE IN ITALY

**B**



Steel balls protect the cylinder body and on the chromed washer.

**C**



To version B, six balls are added as an integral part of the Defender® body



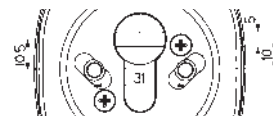
The DF03 protector (DF031/032/033/034) consists of a steel Defender® with an integrated metal escutcheon (72 x 90 mm), available in 4 thicknesses and 2 security versions for each type. The cover of the Defender® and the aluminium/brass escutcheon make 7 different finishes available for the best possible match with existing handles and knobs.

A rotating chromed washer protects the keyway with a slot available in two sizes, 3.5 or 5 mm.

Available with M6 or M8 fixing screws (art. DF031...M8)

Centre distances 26-38 mm - fixing screws included.

**Possibility of fixing M6 center distance 31 mm ON REQUEST (contact the company).**



**ON REQUEST  
DISTANCE 31 mm**

## SPECIFICATIONS



A rotating chromed washer protects the keyway with a slot available in two sizes, 3.5 or 5 mm.



Neutral or Mottura branded escutcheons are available



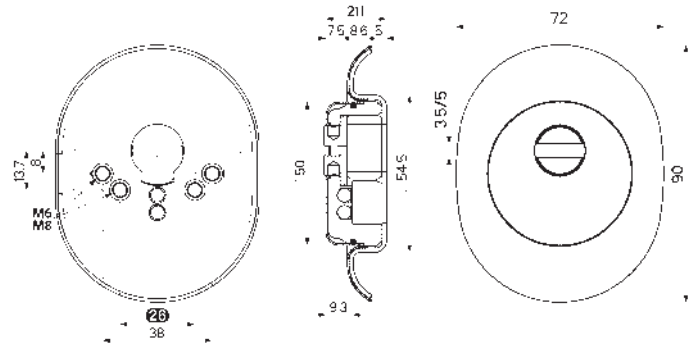
Available with M6 or M8 fixing screws



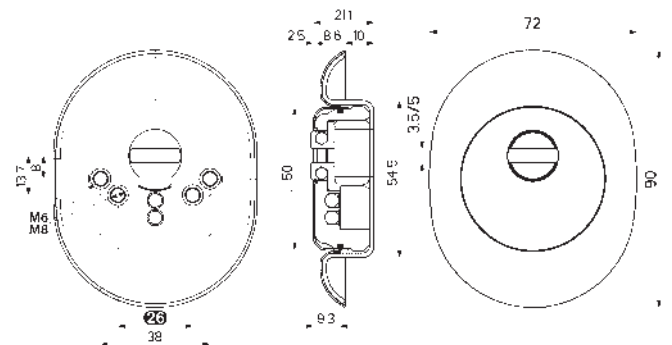
All the versions feature two steel balls to protect the fixing screws

# DATASHEET

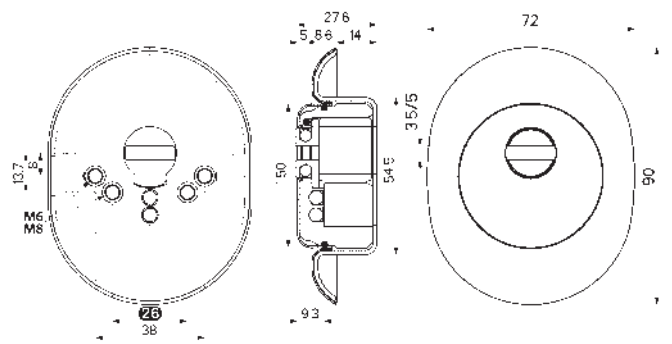
DF031..   th → ← 5 mm		B	C
	<b>Finish</b>		
	Brass		
	Black		
	Chrome Plated		
	Satin Chrome		
	Anodised Silver		
	Anodised Bronze		
	PVD Gold		



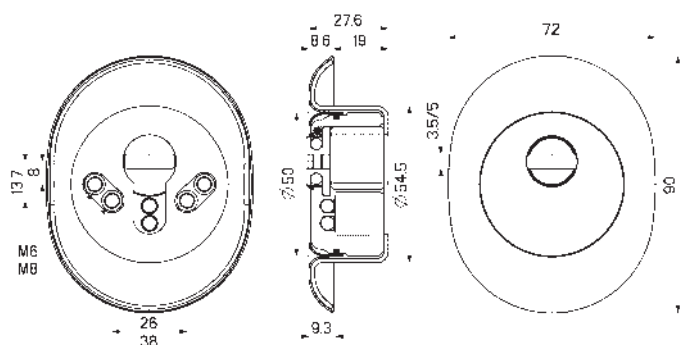
DF032..   th → ← 10 mm		B	C
	<b>Finish</b>		
	Brass		
	Black		
	Chrome Plated		
	Satin Chrome		
	Anodised Silver		
	Anodised Bronze		
	PVD Gold		



DF033..   th → ← 14 mm		B	C
	<b>Finish</b>		
	Brass		
	Black		
	Chrome Plated		
	Satin Chrome		
	Anodised Silver		
	Anodised Bronze		
	PVD Gold		



DF034..   th → ← 19 mm		B	C
	<b>Finish</b>		
	Brass		
	Black		
	Chrome Plated		
	Satin Chrome		
	Anodised Silver		
	Anodised Bronze		
	PVD Gold		



## DF05 - Spring adjustable

This is the Defender® practical and ADJUSTABLE, available in 2 THICKNESSES with 3 security VERSIONS (B/C/I). Thanks to a simple spring adjustment system, it is possible to compensate for size differences even if the precise thickness of the door panel is not known.

MADE IN ITALY

**B**



Steel balls protect the cylinder body and on the chromed washer.

**C**



To version B, six balls are added as an integral part of the Defender® body

**I**



Two balls on the chrome washer + one manganese plate + 4 spheres for total protection of the Defender® body



The protector DF05 (DF051/052) with adjustable thickness consists of a steel Defender® with a sheet metal escutcheon (65 x 90 mm), available in 2 thicknesses and 3 security versions for each type.

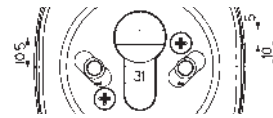
The cover of the Defender® in aluminium/brass and the escutcheon make 2 different finishes available for the best possible match with existing handles and knobs.

A rotating chromed washer protects the keyway with a slot available in two sizes, 3.5 or 5 mm.

Available with M6 or M8 fixing screws (art. DF051...M8)

Centre distance 38 mm - fixing screws included.

**Possibility of fixing M6 center distance 31 mm ON REQUEST FOR "B" AND "C" VERSIONS ONLY (contact the company).**



ON REQUEST  
DISTANCE 31 mm

### FINISH



**CR**  
Chrome Plated



**PV**  
PVD Gold

## SPECIFICATIONS



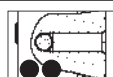
A rotating chromed washer protects the keyway with a slot available in two sizes, 3.5 or 5 mm.



Neutral or Mottura branded escutcheons are available



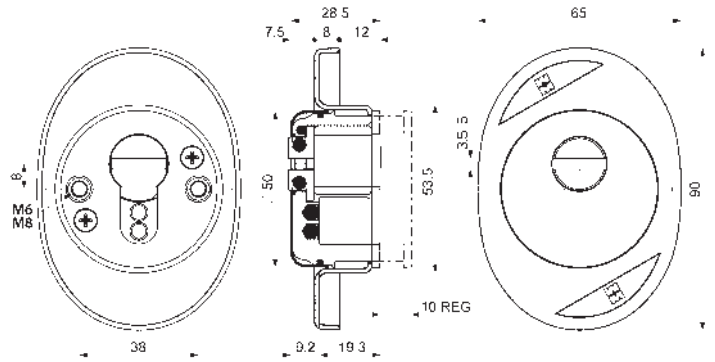
Available with M6 or M8 fixing screws



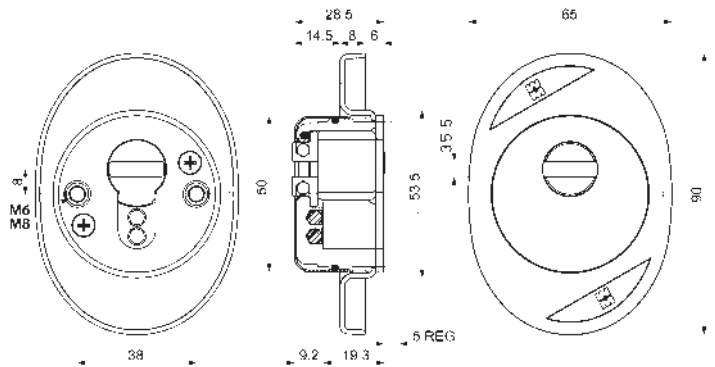
All the versions feature two steel balls to protect the fixing screws

# DATASHEET

DF051..   th → ← 12 a 22 mm		B	C	I
	Finish			
	Chrome Plated			
PVD Gold				



DF052..   th → ← 6 a 11 mm		B	C	I
	Finish			
	Chrome Plated			
PVD Gold				



## DF07 - Spring adjustable

This is the Flexible Defender®, available in 4 thicknesses with 3 security VERSIONS (B/C/I). Can be installed on most door thicknesses thanks to the spring attachment system that makes it easy to adjust, even if spacers need to be inserted. It can also be mounted horizontally.

MADE IN ITALY

**B**



Steel balls protect the cylinder body and on the chromed washer.

**C**



To version B, six balls are added as an integral part of the Defender® body

**I**



Two balls on the chrome washer + one manganese plate + 4 spheres for total protection of the Defender® body



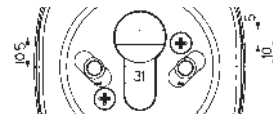
The protector DF07 (DF071/072/073/074) spring adjustable, consists of a steel Defender® with a sheet metal escutcheon (72 x 90 mm), available in 4 thicknesses and 3 security versions for each type.

The cover of the Defender® and the aluminium/brass escutcheon make 7 different finishes available for the best possible match with existing handles and knobs.

A rotating chromed washer protects the keyway with a slot available in two sizes, 3.5 or 5 mm.

Available with M6 or M8 fixing screws (art. DF071...M8)  
Centre distance 38 mm - fixing screws included.

**Possibility of fixing M6 center distance 31 mm ON REQUEST FOR "B" and "C" VERSIONS ONLY (contact the company).**



**ON REQUEST  
DISTANCE 31 mm**

## SPECIFICATIONS



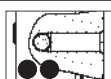
A rotating chromed washer protects the keyway with a slot available in two sizes, 3.5 or 5 mm.



Neutral or Mottura branded escutcheons are available



Available with M6 or M8 fixing screws

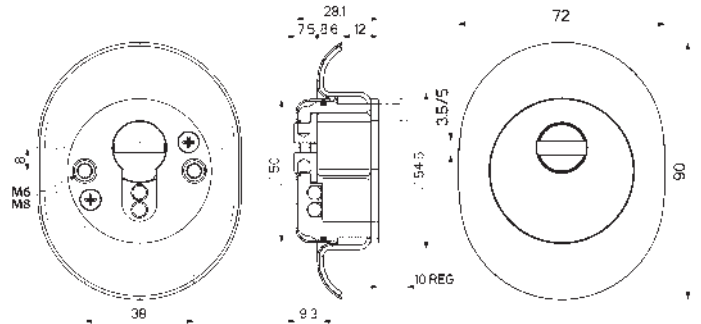


All the versions feature two steel balls to protect the fixing screws

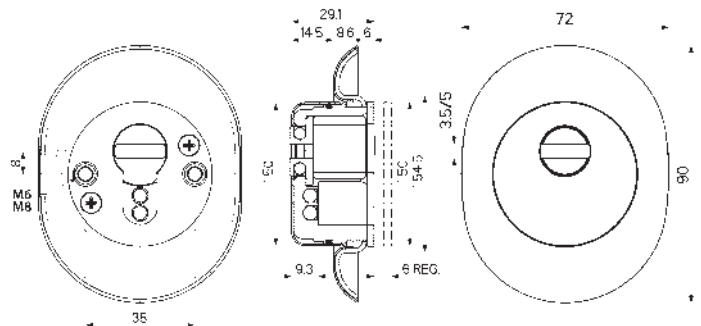


# DATASHEET

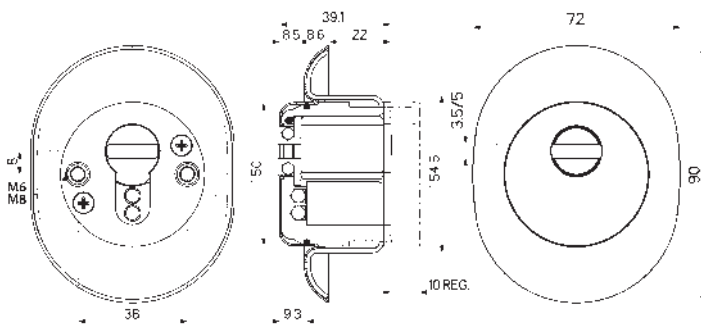
DF071..   th→←12 a 22 mm	B	C	I
	<b>Finish</b>		
	Brass		
	Black		
	Chrome Plated		
	Satin Chrome		
	Anodised Silver		
	Anodised Bronze		
	PVD Gold		



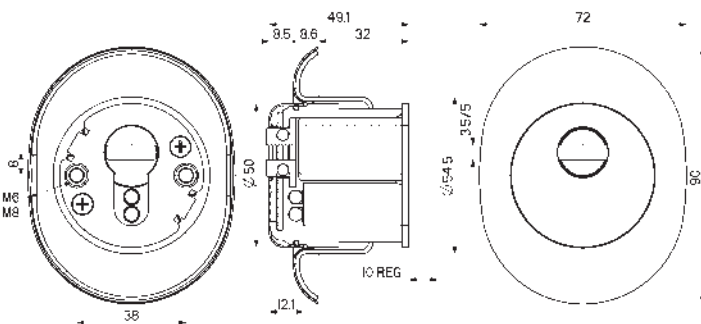
DF072..   th→←6 a 12 mm	B	C	I
	<b>Finish</b>		
	Brass		
	Black		
	Chrome Plated		
	Satin Chrome		
	Anodised Silver		
	Anodised Bronze		
	PVD Gold		



DF073..   th→←22 a 32 mm	B	C	I
	<b>Finish</b>		
	Brass		
	Black		
	Chrome Plated		
	Satin Chrome		
	Anodised Silver		
	Anodised Bronze		
	PVD Gold		



DF074..   th→←32 a 42 mm	B	C	I
	<b>Finish</b>		
	Brass		
	Black		
	Chrome Plated		
	Satin Chrome		
	Anodised Silver		
	Anodised Bronze		
	PVD Gold		



# DF08 - Adjustable with fixed pitch

It is the PRECISION Defender®, available in 3 heights for 2 safety VERSIONS (B/C). It can be installed on most door thicknesses thanks to the fixing system and the simple height adjustment via a threaded ring positioned inside the defender.

MADE IN ITALY

**B**



Steel balls protect the cylinder body and on the chromed washer.

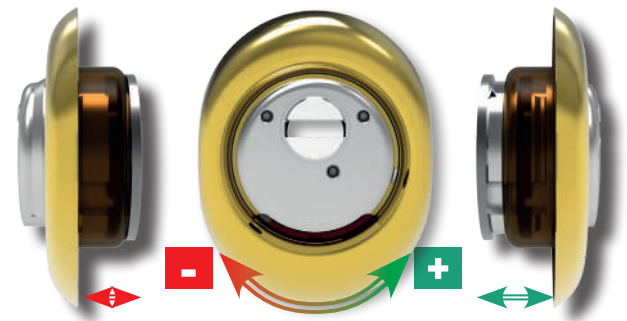
**C**



To version B, six balls are added as an integral part of the Defender® body



The protector DF08 (Patented) (DF081/082/083) consists of a steel Defender® with a sheet metal escutcheon (72 x 90 mm), available in 3 thicknesses and 2 security versions for each type. They are simply adjustable, with a screwdriver, via a threaded ring nut positioned inside the Defender® through the appropriate front seat visible under the cover in the lower part of the protector.



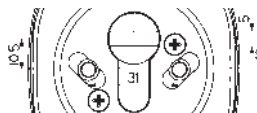
Adjustment : +4mm (DF081), +7mm (DF082), +10mm (DF083)

The cover of the Defender® and the aluminium/brass escutcheon make 7 different finishes available for the best possible match with existing handles and knobs.

A rotating chromed washer protects the keyway with a slot available in two sizes, 3.5 or 5 mm.

Available with M6 fixing screws - centre distance 26/38 mm - fixing screws included.

Possibility of fixing M6 center distance 31 mm ON REQUEST (contact the company).



ON REQUEST  
DISTANCE 31 mm

## SPECIFICATIONS



A rotating chromed washer protects the keyway with a slot available in two sizes, 3.5 or 5 mm.



Neutral or Mottura branded escutcheons are available



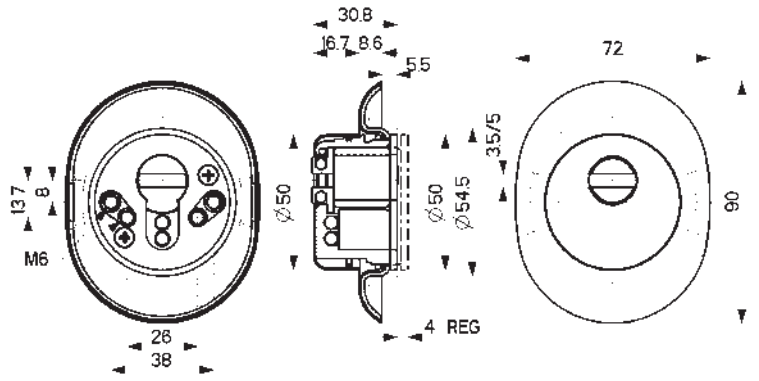
Available with M6 fixing screws



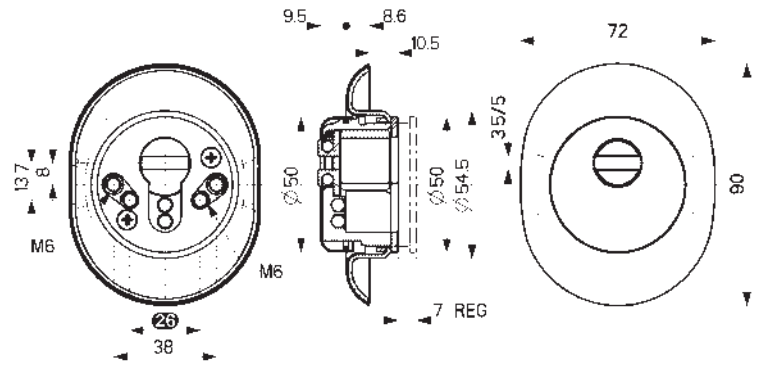
All the versions feature two steel balls to protect the fixing screws

# DATASHEET

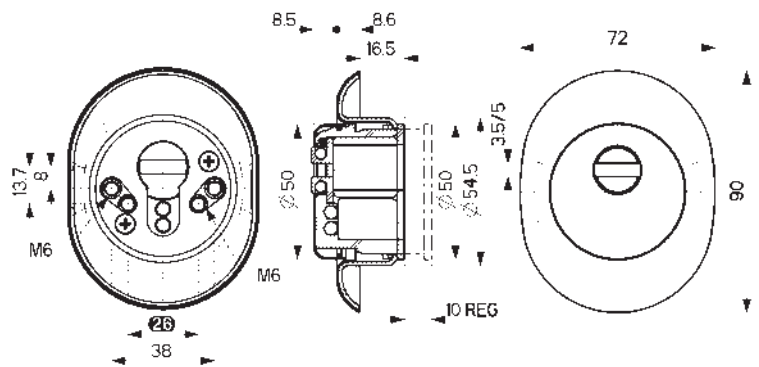
DF081..   th → ← 5,5 a 9,5 mm	B	C
	<b>Finish</b>	
	Brass	
	Black	
	Chrome Plated	
	Satin Chrome	
	Anodised Silver	
	Anodised Bronze	
PVD Gold		



DF082..   th → ← 10,5 a 17,5 mm	B	C
	<b>Finish</b>	
	Brass	
	Black	
	Chrome Plated	
	Satin Chrome	
	Anodised Silver	
	Anodised Bronze	
PVD Gold		



DF083..   th → ← 16,5 a 26,5 mm	B	C
	<b>Finish</b>	
	Brass	
	Black	
	Chrome Plated	
	Satin Chrome	
	Anodised Silver	
	Anodised Bronze	
PVD Gold		



## DF09 - Adjustable with fixed pitch

This is the Defender® PREFERRED BY ENGINEERS, available in 6 thicknesses with 3 security VERSIONS (B/C/I).  
The fixed pitch allow the most precise mechanical adjustment of the Defender®, avoiding the use of shims or spacers.

MADE IN ITALY

**B**



Steel balls protect the cylinder body and on the chromed washer.

**C**



To version B, six balls are added as an integral part of the Defender® body

**I**



Two balls on the chrome washer + one manganese plate + 4 spheres for total protection of the Defender® body



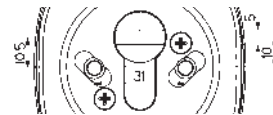
The DF09 protector (DF091/092/093/094/095/096) adjustable with fixed pitch consists of a Defender® and high-strength steel (HRC 53) escutcheon (65 x 90 mm), available in 6 thicknesses and 3 security versions for each type.

The cover of the Defender® and the aluminium/brass escutcheon make 7 different finishes available for the best possible match with existing handles and knobs.

A rotating chromed washer protects the keyway with a slot available in two sizes, 3.5 or 5 mm.

Available with M6 fixing screws - centre distances 26-38 mm fixing screws included.

**Possibility of fixing M6 center distance 31 mm ON REQUEST FOR "B" and "C" VERSIONS ONLY (contact the company).**



**ON REQUEST  
DISTANCE 31 mm**

## SPECIFICATIONS



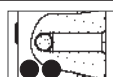
A rotating chromed washer protects the keyway with a slot available in two sizes, 3.5 or 5 mm.



Neutral or Mottura branded escutcheons are available



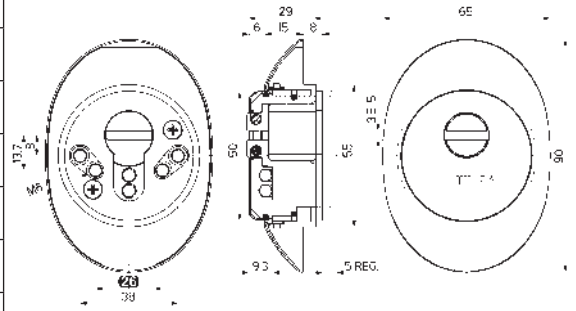
Available with M6 fixing screws



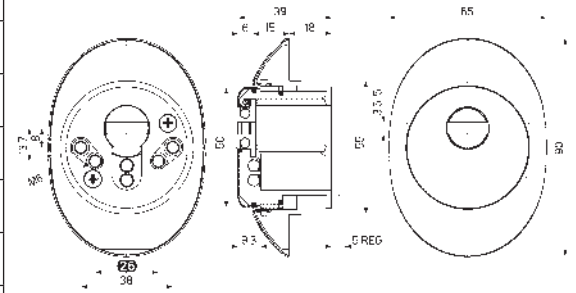
All the versions feature two steel balls to protect the fixing screws

# DATASHEET

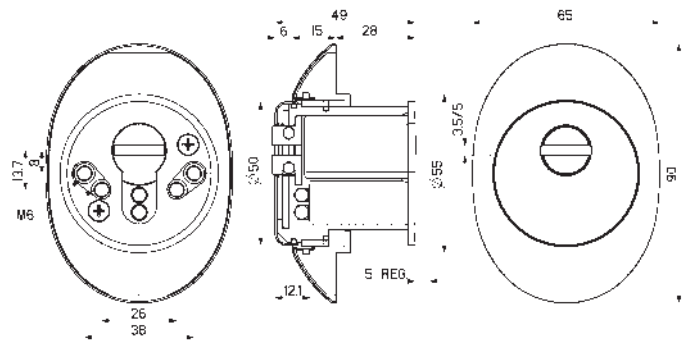
DF091.. th→←8 a 13 mm	DF092.. th→←13 a 18 mm	Finish			B	C	I
		Brass					
		Black					
		Chrome Plated					
		Satin Chrome					
		Anodised Silver					
		Anodised Bronze					
		PVD Gold					



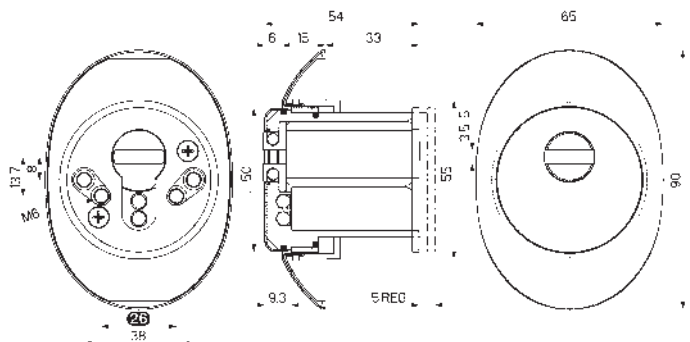
DF093.. th→←18 a 23 mm	DF094.. th→←23 a 28 mm	Finish			B	C	I
		Brass					
		Black					
		Chrome Plated					
		Satin Chrome					
		Anodised Silver					
		Anodised Bronze					
		PVD Gold					



DF095..   th→←28 a 33 mm	Finish			B	C	I
	Brass					
	Black					
	Chrome Plated					
	Satin Chrome					
	Anodised Silver					
	Anodised Bronze					
	PVD Gold					



DF096..   th→←33 a 38 mm	Finish			B	C	I
	Brass					
	Black					
	Chrome Plated					
	Satin Chrome					
	Anodised Silver					
	Anodised Bronze					
	PVD Gold					



# DF11 - Adjustable with set screws

This is the SINTESI Defender®, since with just 3 thicknesses several panel thicknesses can be covered, thanks to its very simple system of adjustment with set screws, which can be done from outside even after the Defender® has been installed.

MADE IN ITALY

**B**



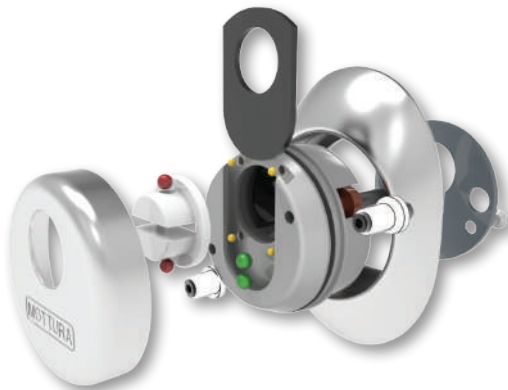
Steel balls protect the cylinder body and on the chromed washer.

**C**



To version B, six balls are added as an integral part of the Defender® body

**I**



Two balls on the chrome washer + one manganese plate + 4 spheres for total protection of the Defender® body



The DF11 DEFENDER® (Patented) (DF111/112/113) adjustable with set screws consists of a Defender® and high-strength steel (HRC 53) escutcheon (65 x 90 mm), available in 3 thicknesses and 3 security levels for each type.

The cover of the Defender® and the aluminium/brass escutcheon make 7 different finishes available for the best possible match with existing handles and knobs.

A rotating chromed washer protects the keyway with a slot available in two sizes, 3.5 or 5 mm.

Available with M6 fixing screws - Centre distance 38 mm - fixing screws included.

## SPECIFICATIONS



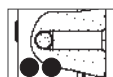
A rotating chromed washer protects the keyway with a slot available in two sizes, 3.5 or 5 mm.



Neutral or Mottura branded escutcheons are available



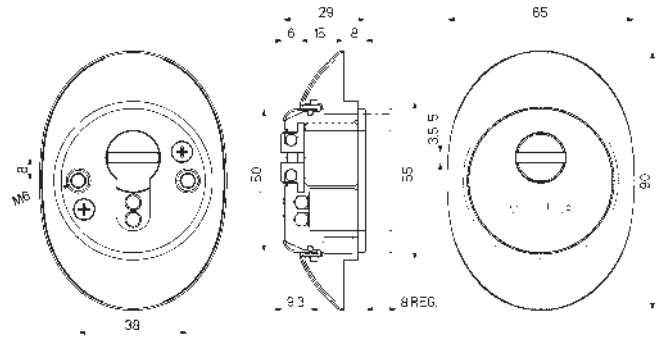
Available with M6 fixing screws



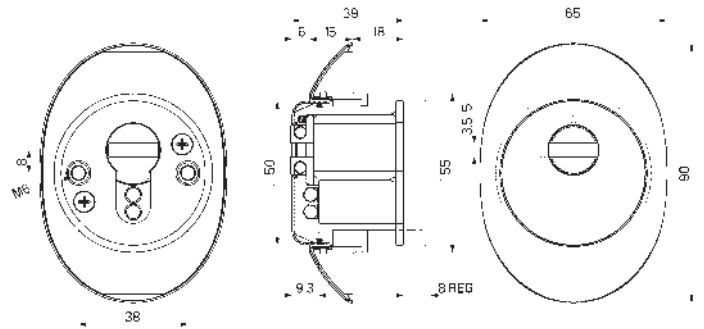
All the versions feature two steel balls to protect the fixing screws

# DATASHEET

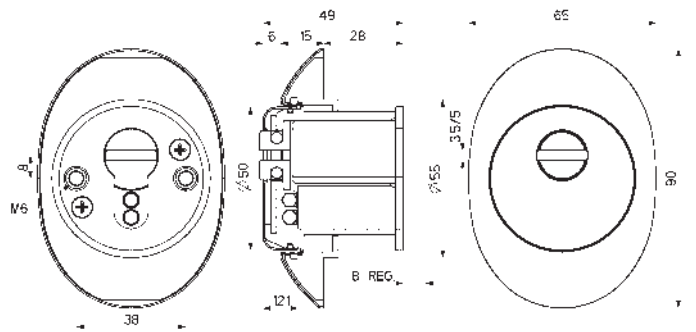
DF111..   th → ← 8 a 16 mm		B	C	I
	<b>Finish</b>			
	Brass			
	Black			
	Chrome Plated			
	Satin Chrome			
	Anodised Silver			
	Anodised Bronze			
	PVD Gold			



DF112..   th → ← 18 a 26 mm		B	C	I
	<b>Finish</b>			
	Brass			
	Black			
	Chrome Plated			
	Satin Chrome			
	Anodised Silver			
	Anodised Bronze			
	PVD Gold			



DF113..   th → ← 28 a 36 mm		B	C	I
	<b>Finish</b>			
	Brass			
	Black			
	Chrome Plated			
	Satin Chrome			
	Anodised Silver			
	Anodised Bronze			
	PVD Gold			



# DF17 - Spring adjustable full body escutcheon

This is the Flexible Defender®, available with 3 security VERSIONS (B/C/I). Can be installed on most door thicknesses thanks to the spring attachment system that makes it easy to adjust, even if spacers need to be inserted. It can also be mounted horizontally.

MADE IN ITALY

**B**



Steel balls protect the cylinder body and on the chromed washer.

**C**



To version B, six balls are added as an integral part of the Defender® body

**I**



Two balls on the chrome washer + one manganese plate + 4 spheres for total protection of the Defender® body



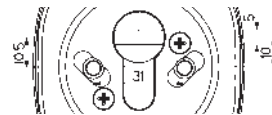
The protector DF17 (DF171) spring adjustable, consists of a Defender® and high-strength steel (HRC 53) escutcheon (65 x 90 mm), available with 3 security levels for each type.

The cover of the Defender® and the aluminium/brass escutcheon make 7 different finishes available for the best possible match with existing handles and knobs.

A rotating chromed washer protects the keyway with a slot available in two sizes, 3.5 or 5 mm.

Available with M6 or M8 fixing screws (art. DF071...M8) Centre distance 38 mm - fixing screws included.

**Possibility of fixing M6 center distance 31 mm ON REQUEST FOR "B" and "C" VERSIONS ONLY (contact the company).**



**ON REQUEST  
DISTANCE 31 mm**

## SPECIFICATIONS



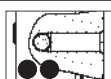
A rotating chromed washer protects the keyway with a slot available in two sizes, 3.5 or 5 mm.



Neutral or Mottura branded escutcheons are available



Available with M6 or M8 fixing screws

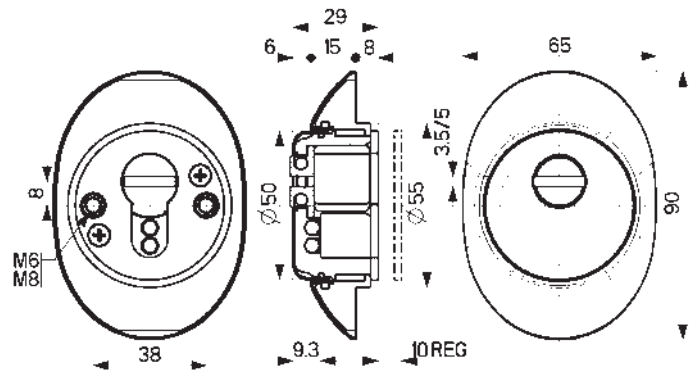


All the versions feature two steel balls to protect the fixing screws



# DATASHEET

DF171..   th → ← 8 a 18 mm	B	C	I
	<b>Finish</b>		
	Brass		
	Black		
	Chrome Plated		
	Satin Chrome		
	Anodised Silver		
	Anodised Bronze		
	PVD Gold		



# DF18 - Adjustable full body escutcheon

It is the PRECISION Defender®, available with 2 safety VERSIONS (B/C). It can be installed on most door thicknesses thanks to the fixing system and the simple height adjustment via a threaded ring positioned inside the defender.

MADE IN ITALY

**B**



Steel balls protect the cylinder body and on the chromed washer.

**C**



To version B, six balls are added as an integral part of the Defender® body



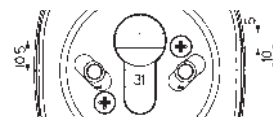
The protector DF18 (DF181) adjustable with fixed pitch (Patented) consists of a Defender® and high-strength steel (HRC 53) escutcheon (65 x 90 mm), available with 3 security versions for each type.

They are simply adjustable, with a screwdriver, via a threaded ring nut positioned inside the Defender® through the appropriate front seat visible under the cover in the lower part of the protector. The cover of the Defender® and the aluminium/brass escutcheon make 7 different finishes available for the best possible match with existing handles and knobs.

A rotating chromed washer protects the keyway with a slot available in two sizes, 3.5 or 5 mm.

Available with M6 fixing screws - centre distance 26/38 mm - fixing screws included.

**Possibility of fixing M6 center distance 31 mm ON REQUEST (contact the company).**



**ON REQUEST  
DISTANCE 31 mm**

## SPECIFICATIONS



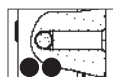
A rotating chromed washer protects the keyway with a slot available in two sizes, 3.5 or 5 mm.



Neutral or Mottura branded escutcheons are available



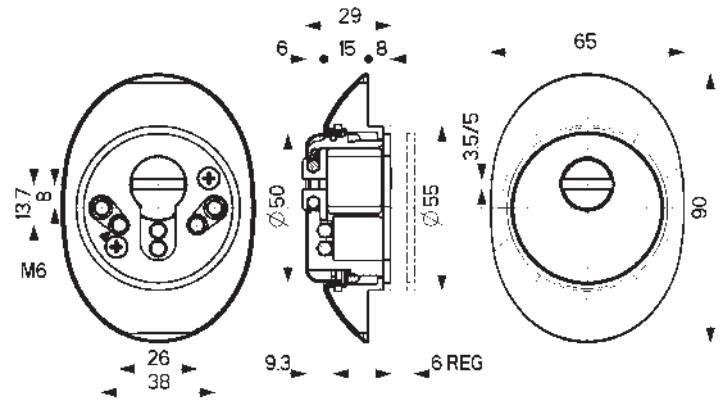
Available with M6 fixing screws



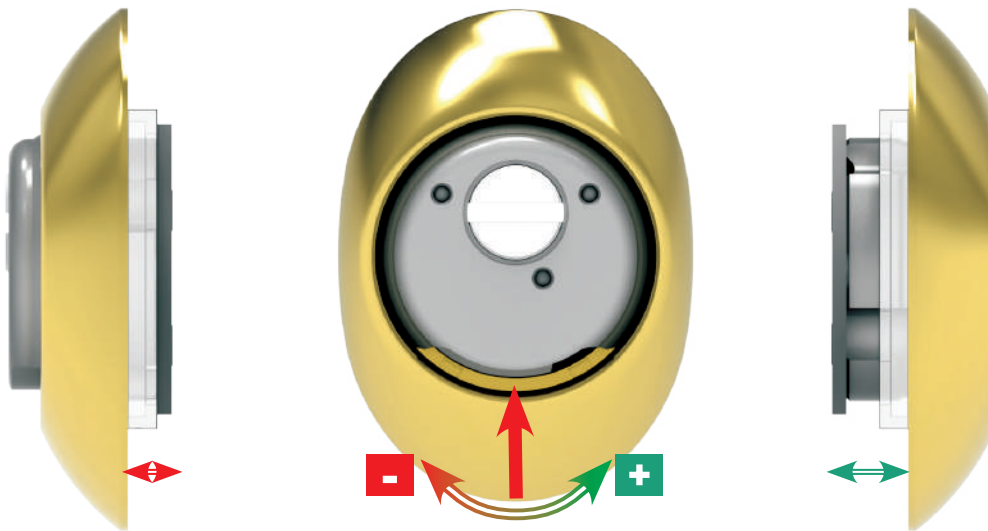
All the versions feature two steel balls to protect the fixing screws

# DATASHEET

DF181..   th → ← 8 a 14 mm	B	C
	<b>Finish</b>	
	Brass	
	Black	
	Chrome Plated	
	Satin Chrome	
	Anodised Silver	
	Anodised Bronze	
	PVD Gold	



# ADJUSTMENT



## DF33 - Magnetic with fixed height

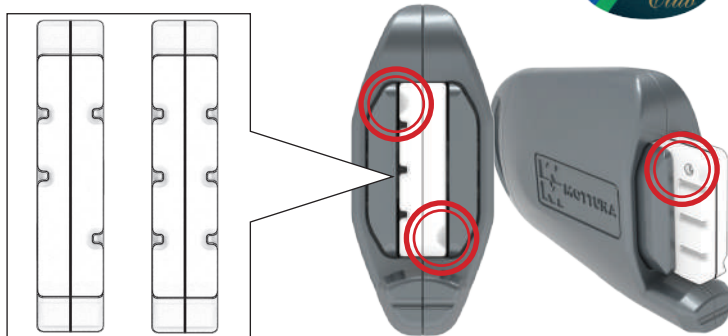
This is the SIMPLE Defender® in the version with MAGNETIC closure and with opening via a special magnetic key. Available in 4 different THICKNESSES. Perfect for replacing existing or previous protections if you already know the door thickness.  
**Total protection on the keyway.**

MADE IN ITALY



### MAGNETIC KEY

A SPECIAL magnetic key allows you to open the mechanical key entry. Defender® key entry with magnetic/mechanical coding with RECTANGULAR profile with the possibility of different key profiles to obtain high numbers of coding. Key duplication at Mottura Club authorized centers.  
 POSSIBILITY TO HAVE PROTECTED PROFILES.



The magnetic Defender® DF33 (Patented) consists of a steel Defender® with a sheet metal escutcheon (72 x 90 mm), available in 4 heights (DF331P/332P/333P/334P) and a special rotating cover that completely protects the keyway. The rotation of the rotating body is controlled by the special magnetic key, whose security is given by the combination of the polarities of 5 magnets in 6 possible positions plus 2 coding pins which do NOT allow the key to be removed during the rotation of the defender body. The keyway is further protected by a rotating chromed steel washer with a 5 mm key entry slot. The Defender® cover has only one INOX finish while the aluminium/brass escutcheon cover offer 7 different finishes for the best possible combination with existing handles and knobs.

Possibility of Defender® with the same coding in the KA version that can be opened with the same magnetic key.

Available with M6 fixings, 26/38 mm center distance - fixing screws included.

### SPECIFICATIONS

	A rotating chromed washer protects with 5 mm key entry slot		
	Available with M6 fixing screws		All the versions feature two steel balls to protect the fixing screws

**DF331P.. | th → ← 5 mm**

Finish
Brass
Black
Chrome Plated
Satin Chrome
Anodised Silver
Anodised Bronze
PVD Gold

**DF332P.. | th → ← 10 mm**

Finish
Brass
Black
Chrome Plated
Satin Chrome
Anodised Silver
Anodised Bronze
PVD Gold

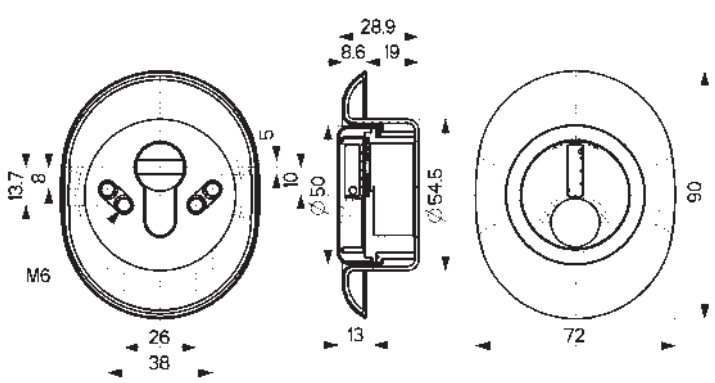
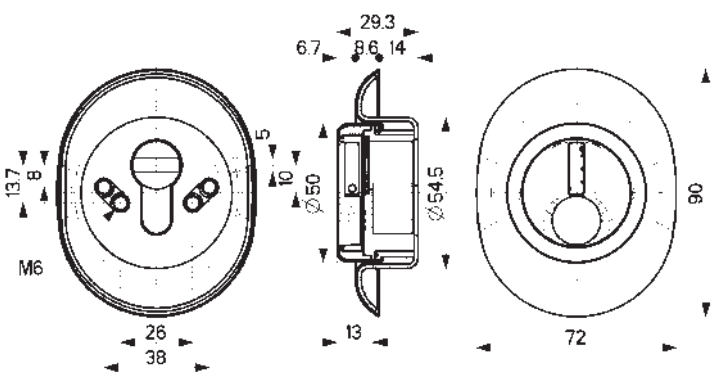
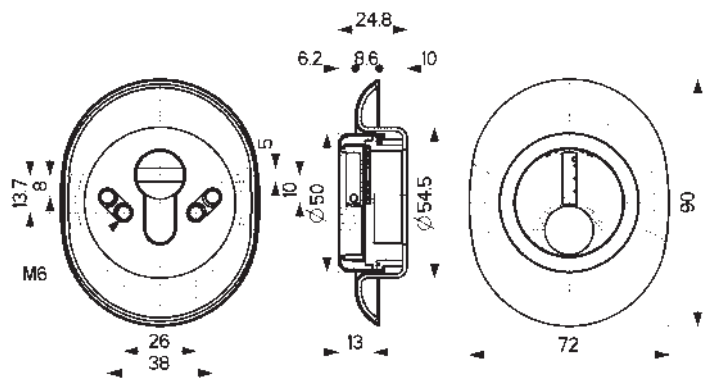
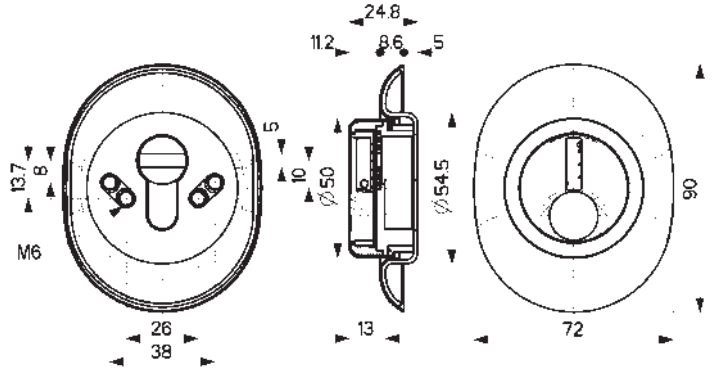
**DF333P.. | th → ← 14 mm**

Finish
Brass
Black
Chrome Plated
Satin Chrome
Anodised Silver
Anodised Bronze
PVD Gold

**DF334P.. | th → ← 19 mm**

Finish
Brass
Black
Chrome Plated
Satin Chrome
Anodised Silver
Anodised Bronze
PVD Gold

## DATASHEET



## THE KEY

**92356**

Key in addition  
MAGNETIC/MECHANICAL CODING



Magnetic key duplication KIT  
Reserved for Mottura Clubs



## MASTER KEY SYSTEMS



System composed of several  
defenders with the same code that  
can be opened with the same key.

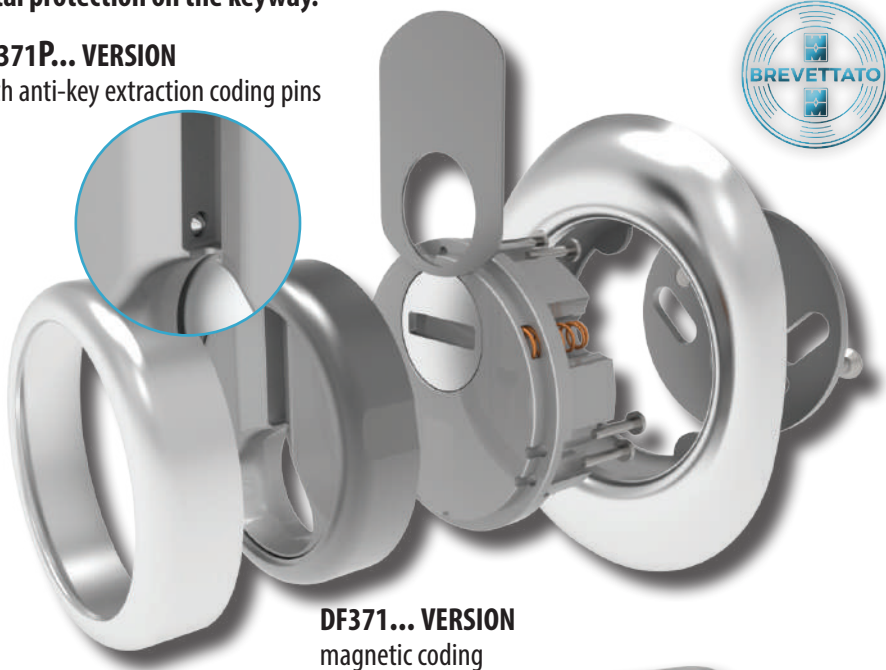
# DF37 - Magnetic with spring adjustable

This is the FLEXIBLE Defender® in the version with MAGNETIC closure and with opening via a special magnetic key. Can be installed on most door thicknesses thanks to the spring attachment system that makes it easy to adjust, even if spacers need to be inserted. It can also be mounted horizontally.

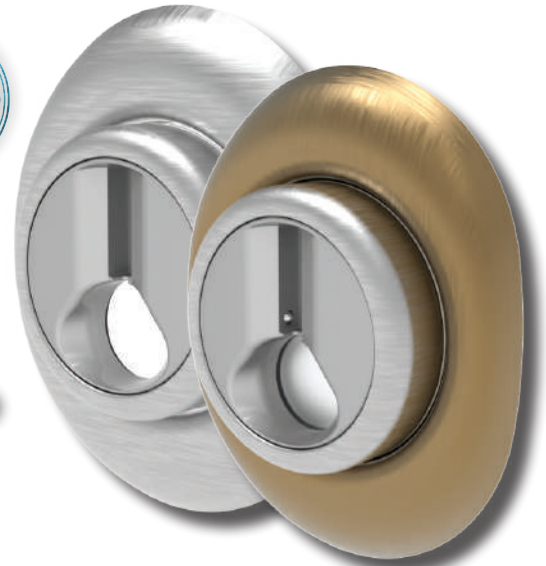
MADE IN ITALY

**Total protection on the keyway.**

**DF371P... VERSION**  
with anti-key extraction coding pins

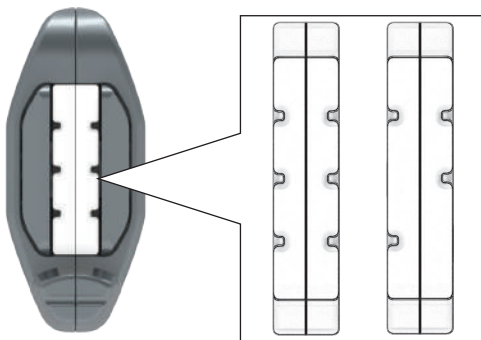


**DF371... VERSION**  
magnetic coding



## MAGNETIC KEY

A SPECIAL magnetic key allows you to open the mechanical key entry. Defender® key entry with magnetic or magnetic/mechanical coding with RECTANGULAR profile with the possibility of different key profiles to obtain high numbers of coding. Key duplication at Mottura Club authorized centers. POSSIBILITY TO HAVE PROTECTED PROFILES.



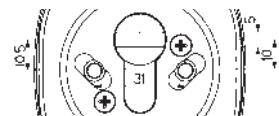
**DF371... VERSION**  
magnetic coding



**DF371P... VERSION**  
magnetic/mechanical coding  
with anti-key extraction coding pins

The magnetic Defender® DF371/DF371P (Patented) are spring-adjustable (10mm).

They consists of a steel Defender® with a sheet metal escutcheon (72 x 90 mm) and a special rotating cover that completely protects the keyway. The rotation of the body is controlled by the special magnetic key, whose security is given by the combination of the polarities of 7 magnets in 8 possible positions for DF371 and 5 magnets in 6 possible positions plus 2 coding pins for the DF371P version (in this version the coding pins do NOT allow the extraction of the key during rotation of the defender body). The keyway is further protected by a rotating chromed steel washer with a 5 mm keyway slot. The Defender® cover has only one INOX finish while the aluminium/brass escutcheon cover offer 7 different finishes for the best possible combination with existing handles and knobs. Possibility of Defender® with the same coding in the KA version that can be opened with the same magnetic key. Available with M6 fixings center distance 26/38 mm - or 31 mm (on request only for DF371/371P) - fixing screws included.



**ON REQUEST**  
**DISTANCE 31 mm**

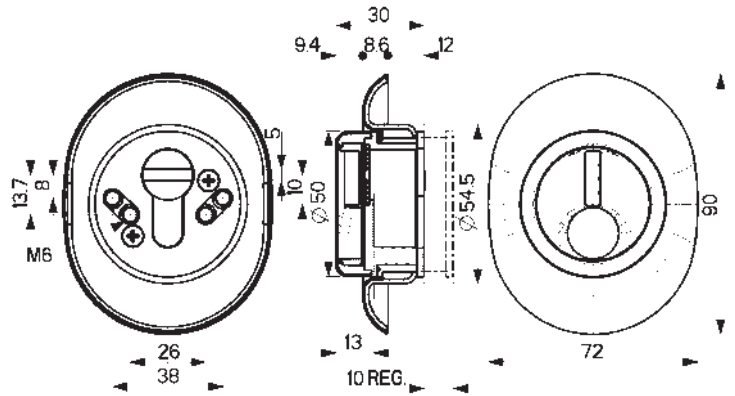
## SPECIFICATIONS

	A rotating chromed washer protects with 5 mm key entry slot		
	Available with M6 fixing screws		All the versions feature two steel balls to protect the fixing screws

# DATASHEET

## DF371.. | th → ← 12 a 22 mm

	<b>Finish</b> 2/4 keys
	Brass
	Black
	Chrome Plated
	Satin Chrome
	Anodised Silver
	Anodised Bronze
	PVD Gold



## DF371P.. | th → ← 12 a 22 mm

	<b>Finish</b> 2/4 keys
	Brass
	Black
	Chrome Plated
	Satin Chrome
	Anodised Silver
	Anodised Bronze
	PVD Gold

## THE KEY

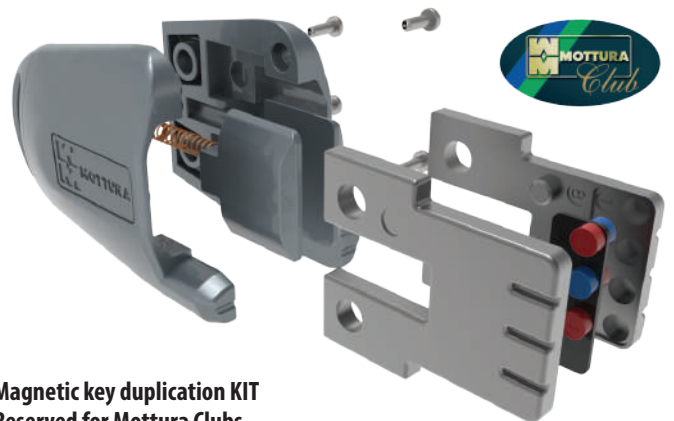
### 92355

Key in addition  
MAGNETIC CODING



### 92356

Key in addition  
MAGNETIC/MECHANICAL CODING



Magnetic key duplication KIT  
Reserved for Mottura Clubs

## MASTER KEY SYSTEMS



System composed of several  
defenders with the same code that  
can be opened with the same key.

## DF38 - Magnetic adjustable with fixed pitch

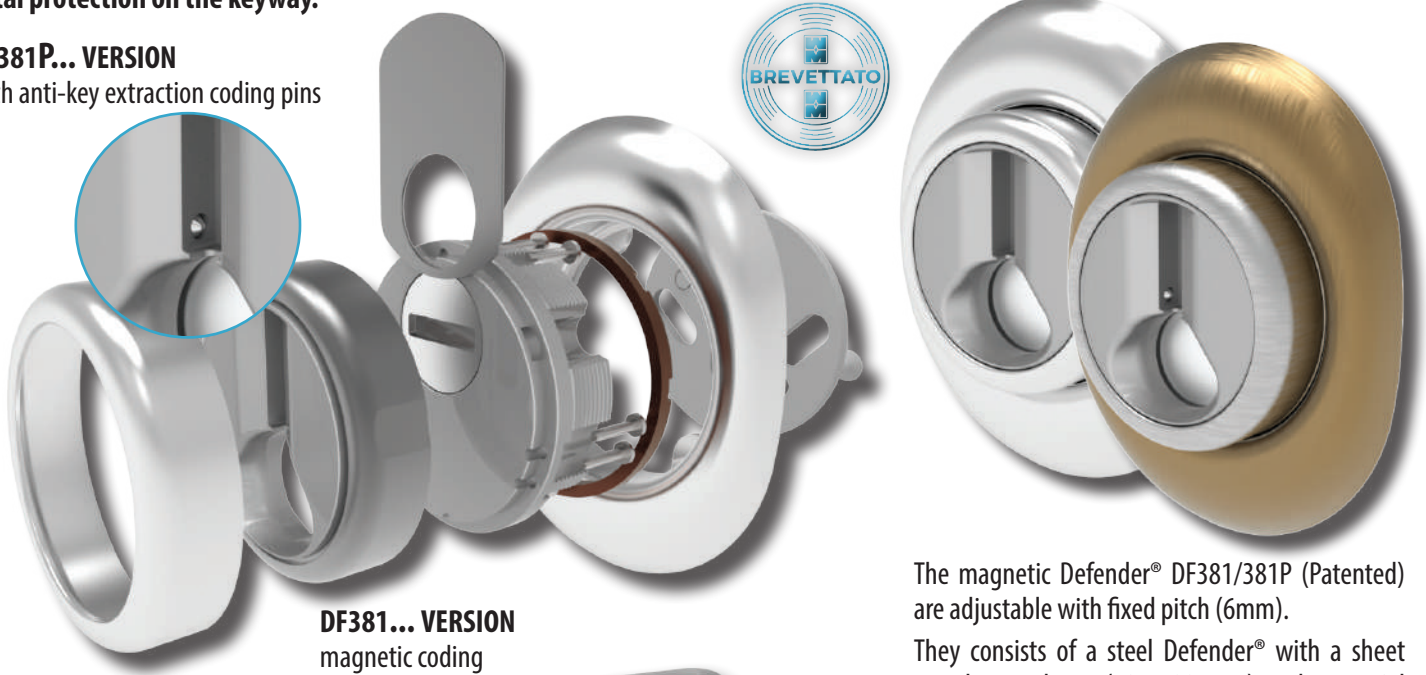
It is the PRECISION Defender®, in the version with MAGNETIC closure and with opening via a special magnetic key. It can be installed on most door thicknesses thanks to the fixing system and the simple height adjustment via a threaded ring positioned inside the defender.

MADE IN ITALY

**Total protection on the keyway.**

### DF381P... VERSION

with anti-key extraction coding pins



**DF381... VERSION**  
magnetic coding

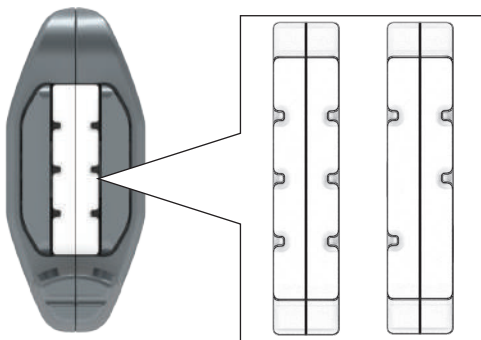
## MAGNETIC KEY

A SPECIAL magnetic key allows you to open the mechanical key entry. Defender® key entry with magnetic or magnetic/mechanical coding with RECTANGULAR profile with the possibility of different key profiles to obtain high numbers of coding. Key duplication at Mottura Club authorized centers. POSSIBILITY TO HAVE PROTECTED PROFILES.



The magnetic Defender® DF381/381P (Patented) are adjustable with fixed pitch (6mm).

They consists of a steel Defender® with a sheet metal escutcheon (72 x 90 mm) and a special rotating cover that completely protects the keyway. The rotation of the body is controlled by the special magnetic key, whose security is given by the combination of the polarities of 7 magnets in 8 possible positions for DF381 and 5 magnets in 6 possible positions plus 2 coding pins for the DF381P version (in this version the coding pins do NOT allow the extraction of the key during rotation of the defender body). The keyway is further protected by a rotating chromed steel washer with a 5 mm keyway slot. The Defender® cover has only one INOX finish while the aluminium/brass escutcheon cover offer 7 different finishes for the best possible combination with existing handles and knobs. Possibility of Defender® with the same coding in the KA version that can be opened with the same magnetic key. Available with M6 fixings center distance 26/38 mm - fixing screws included.



**DF381... VERSION**  
magnetic coding



**DF381P... VERSION**  
magnetic/mechanical coding  
with anti-key extraction coding pins

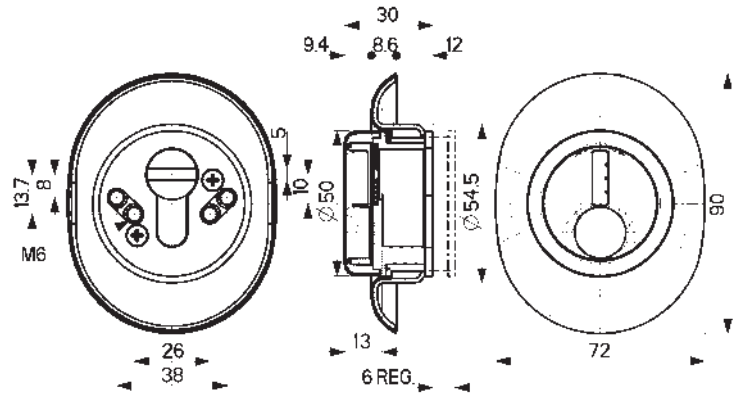
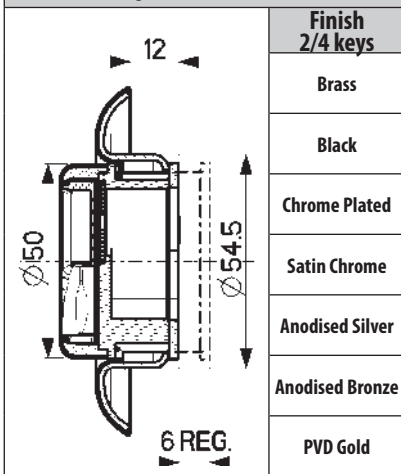
## SPECIFICATIONS

	A rotating chromed washer protects with 5 mm key entry slot		
	Available with M6 fixing screws		All the versions feature two steel balls to protect the fixing screws



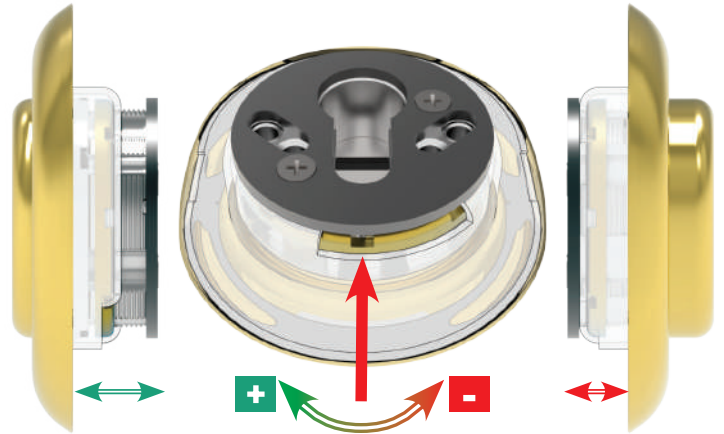
## DATASHEET

DF381.. | th → ← 12 a 18 mm

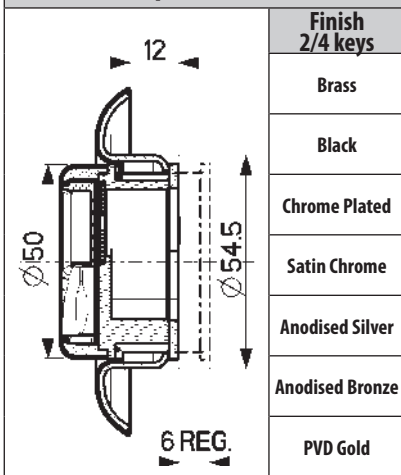


## ADJUSTMENT

The Defender® DF38 are simply adjustable by acting directly on the threaded ring nut, through the special seat positioned on the underside of the back of the Defender® without the need to remove the cover.



DF381P.. | th → ← 12 a 18 mm



## THE KEY

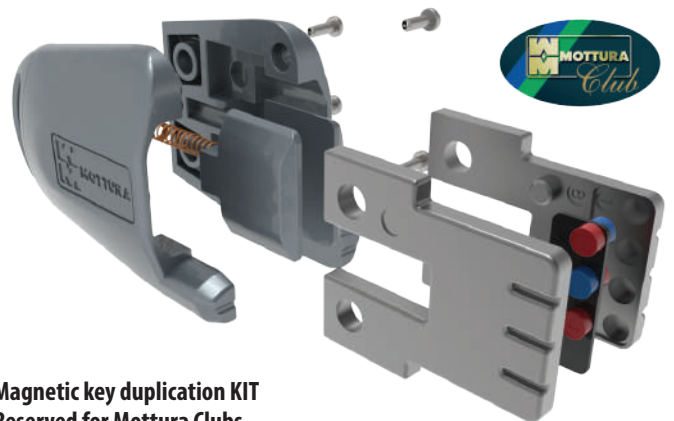
**92355**

Key in addition  
MAGNETIC CODING



**92356**

Key in addition  
MAGNETIC/MECHANICAL CODING



Magnetic key duplication KIT  
Reserved for Mottura Clubs

## MASTER KEY SYSTEMS



System composed of several  
defenders with the same code that  
can be opened with the same key.

## DF47 - Magnetic with spring adjustable full body escutcheon

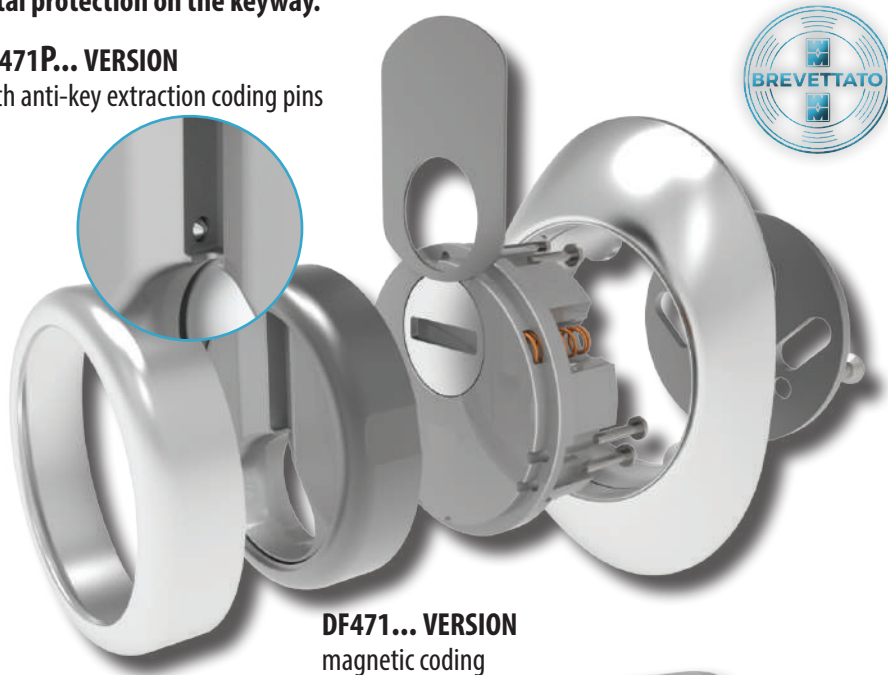
This is the FLEXIBLE Defender® in the version with MAGNETIC closure and with opening via a special magnetic key. Can be installed on most door thicknesses thanks to the spring attachment system that makes it easy to adjust, even if spacers need to be inserted. It can also be mounted horizontally.

MADE IN ITALY

**Total protection on the keyway.**

### DF471P... VERSION

with anti-key extraction coding pins

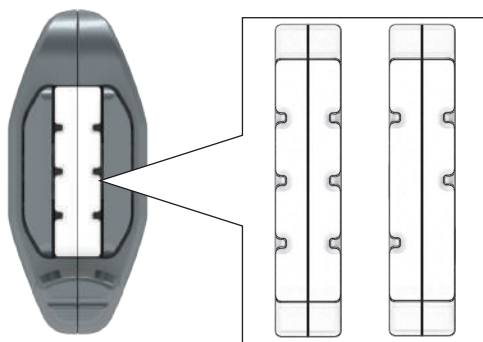


**DF471... VERSION**  
magnetic coding



## MAGNETIC KEY

A SPECIAL magnetic key allows you to open the mechanical key entry. Defender® key entry with magnetic or magnetic/mechanical coding with RECTANGULAR profile with the possibility of different key profiles to obtain high numbers of coding. Key duplication at Mottura Club authorized centers. POSSIBILITY TO HAVE PROTECTED PROFILES.



**DF471... VERSION**  
magnetic coding



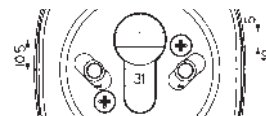
**DF471P... VERSION**  
magnetic/mechanical coding  
with anti-key extraction coding pins

The magnetic Defender® DF471/DF471P (Patented) are spring-adjustable (10mm).

They consists of a Defender® and hardened steel (HRC 53) escutcheon (65 x 90 mm) and a special rotating cover that completely protects the keyway. The rotation of the body is controlled by the special magnetic key, whose security is given by the combination of the polarities of 7 magnets in 8 possible positions for DF471 and 5 magnets in 6 possible positions plus 2 coding pins for the DF471P version (in this version the coding pins do NOT allow the extraction of the key during rotation of the defender body). The keyway is further protected by a rotating chromed steel washer with a 5 mm keyway slot. The Defender® cover has only one INOX finish while the aluminium/brass escutcheon cover offer 7 different finishes for the best possible combination with existing handles and knobs.

Possibility of Defender® with the same coding in the KA version that can be opened with the same magnetic key.

Available with M6 fixings center distance 26/38 mm or 31 mm (on request) - fixing screws included.



**ON REQUEST  
DISTANCE 31 mm**

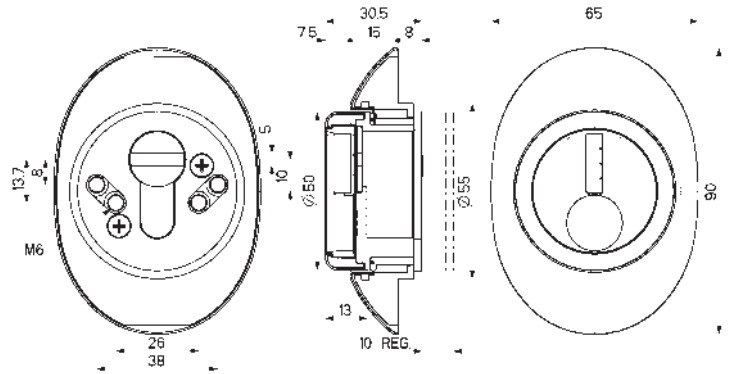
## SPECIFICATIONS

	A rotating chromed washer protects with 5 mm key entry slot		
	Available with M6 fixing screws		All the versions feature two steel balls to protect the fixing screws

# DATASHEET

**DF471..** | th→←8 a 18 mm

	<b>Finish</b> 2/4 keys
	Brass
	Black
	Chrome Plated
	Satin Chrome
	Anodised Silver
	Anodised Bronze
	PVD Gold



**DF471P..** | th→←8 a 18 mm

	<b>Finish</b> 2/4 keys
	Brass
	Black
	Chrome Plated
	Satin Chrome
	Anodised Silver
	Anodised Bronze
	PVD Gold

## THE KEY

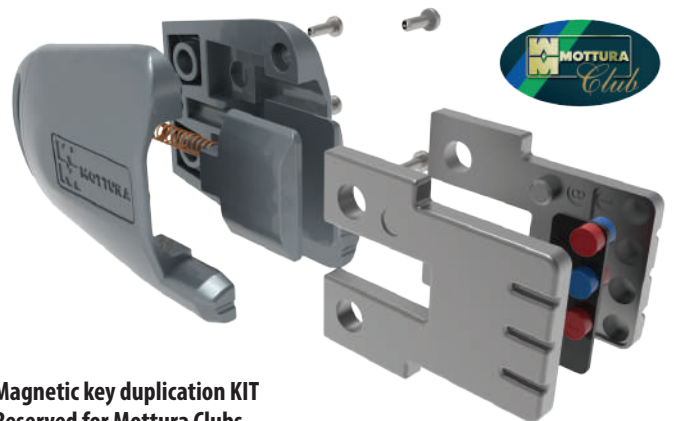
**92355**

Key in addition  
MAGNETIC CODING



**92356**

Key in addition  
MAGNETIC/MECHANICAL CODING



Magnetic key duplication KIT  
Reserved for Mottura Clubs

## MASTER KEY SYSTEMS



System composed of several  
defenders with the same code that  
can be opened with the same key.

# DF48 - Magnetic adjustable with fixed pitch full body escutcheon

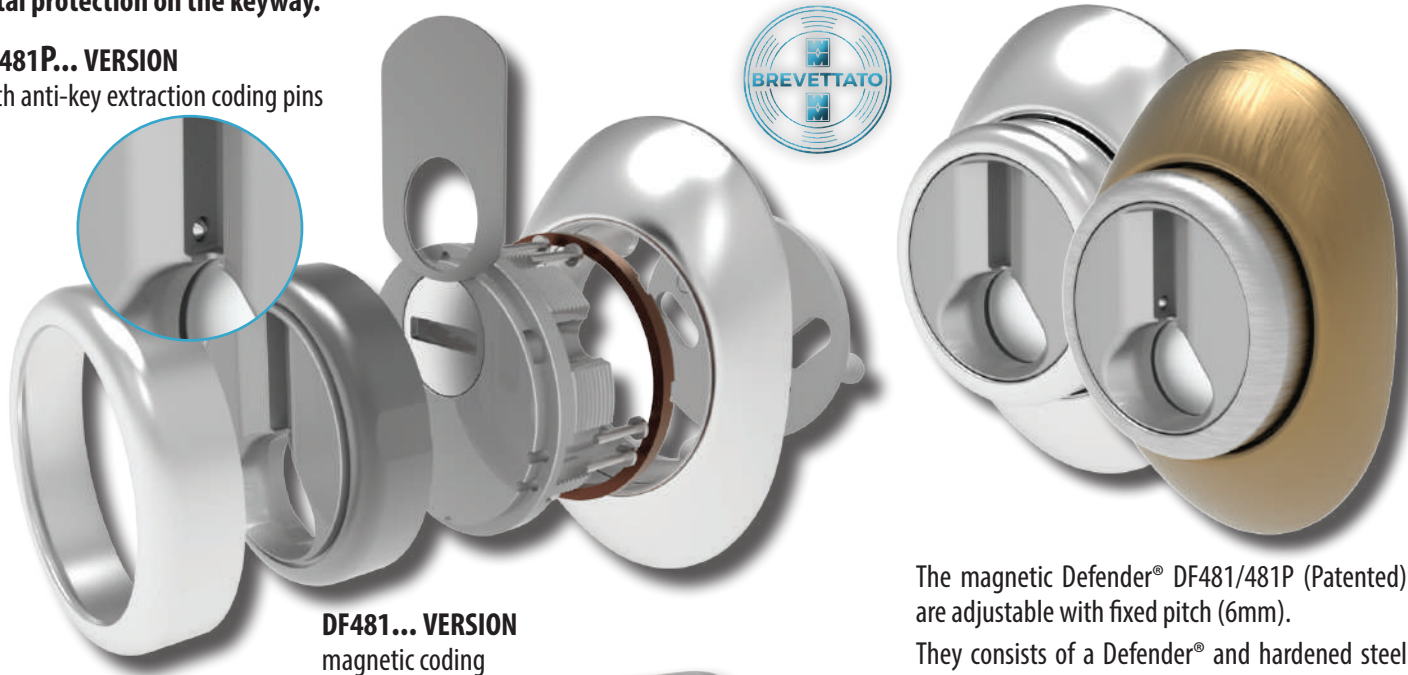
It is the PRECISION Defender®, in the version with MAGNETIC closure and with opening via a special magnetic key. It can be installed on most door thicknesses thanks to the fixing system and the simple height adjustment via a threaded ring positioned inside the defender.

**MADE IN ITALY**

**Total protection on the keyway.**

## DF481P... VERSION

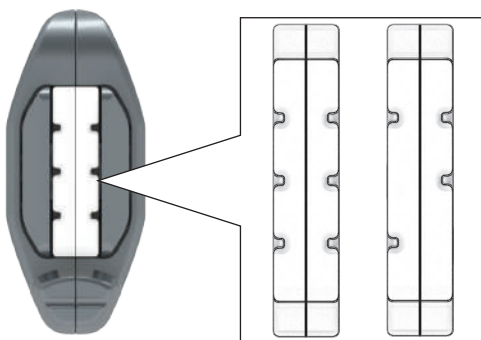
with anti-key extraction coding pins



**DF481... VERSION**  
magnetic coding

## MAGNETIC KEY

A SPECIAL magnetic key allows you to open the mechanical key entry. Defender® key entry with magnetic or magnetic/mechanical coding with RECTANGULAR profile with the possibility of different key profiles to obtain high numbers of coding. Key duplication at Mottura Club authorized centers. POSSIBILITY TO HAVE PROTECTED PROFILES.



**DF481... VERSION**  
magnetic coding



**DF481P... VERSION**  
magnetic/mechanical coding  
with anti-key extraction coding pins

The magnetic Defender® DF481/481P (Patented) are adjustable with fixed pitch (6mm).

They consists of a Defender® and hardened steel (HRC 53) escutcheon (65 x 90 mm) and a special rotating cover that completely protects the keyway. The rotation of the body is controlled by the special magnetic key, whose security is given by the combination of the polarities of 7 magnets in 8 possible positions for DF481 and 5 magnets in 6 possible positions plus 2 coding pins for the DF481P version (in this version the coding pins do NOT allow the extraction of the key during rotation of the defender body). The keyway is further protected by a rotating chromed steel washer with a 5 mm keyway slot.

The Defender® cover has only one INOX finish while the aluminium/brass escutcheon cover offer 7 different finishes for the best possible combination with existing handles and knobs.

Possibility of Defender® with the same coding in the KA version that can be opened with the same magnetic key.

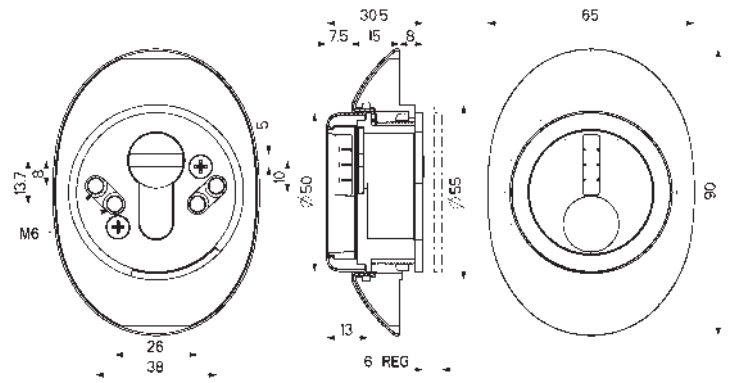
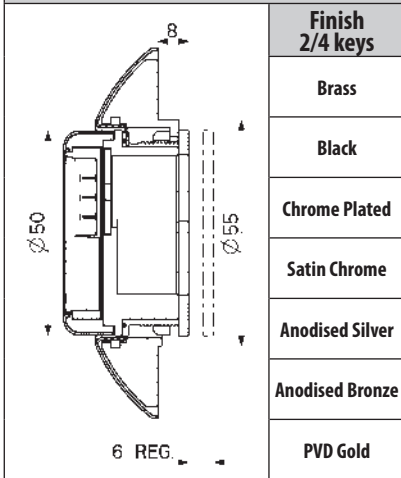
Available with M6 fixings center distance 26/38 mm - fixing screws included.

## SPECIFICATIONS

	A rotating chromed washer protects with 5 mm key entry slot		
	Available with M6 fixing screws		All the versions feature two steel balls to protect the fixing screws

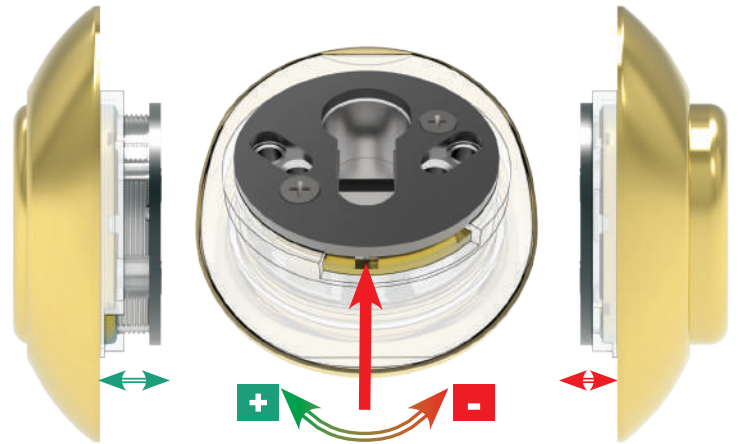
## DATASHEET

**DF481..** | th → ← 8 a 14 mm

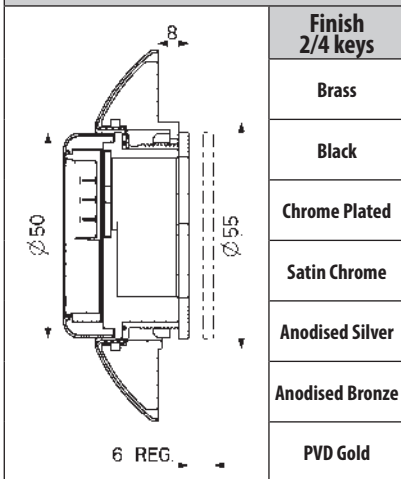


## ADJUSTMENT

The Defender® DF48 are simply adjustable by acting directly on the threaded ring nut, through the special seat positioned on the underside of the back of the Defender® without the need to remove the cover.



**DF481P..** | th → ← 8 a 14 mm



## THE KEY

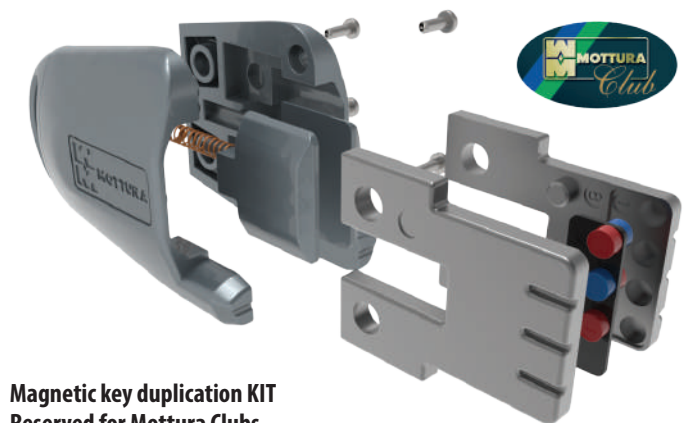
**92355**

Key in addition  
MAGNETIC CODING



**92356**

Key in addition  
MAGNETIC/MECHANICAL CODING



Magnetic key duplication KIT  
Reserved for Mottura Clubs

## MASTER KEY SYSTEMS



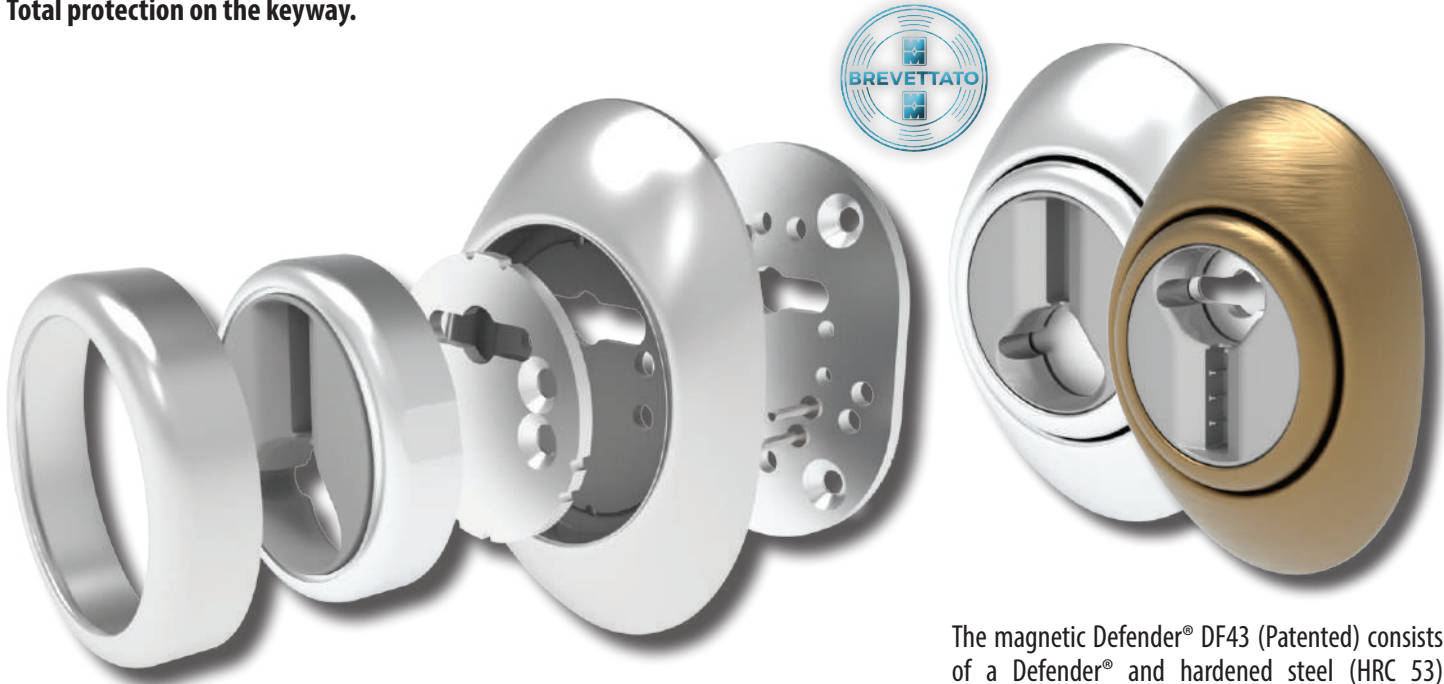
System composed of several  
defenders with the same code that  
can be opened with the same key.

## DF43 - Anti-vandal for double bit and 3DKey locks

It is the MAGNETIC Defender® with full body escutcheon and opening via a special magnetic key, for double bit locks (DF430) or for 3DKey locks (DF43D). It is installed directly on the door panel.

**Total protection on the keyway.**

**MADE IN ITALY**



### MAGNETIC KEY

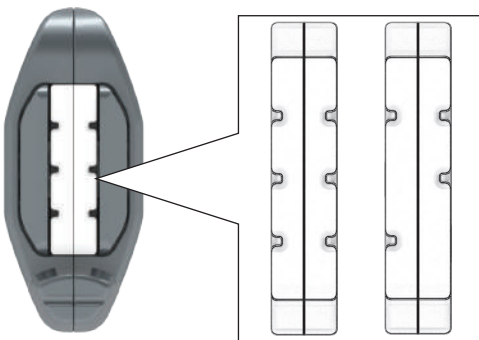
A SPECIAL magnetic key allows you to open the mechanical key entry. Defender® key entry with magnetic or magnetic/mechanical coding with RECTANGULAR profile with the possibility of different key profiles to obtain high numbers of coding. Key duplication at Mottura Club authorized centers. POSSIBILITY TO HAVE PROTECTED PROFILES.



The magnetic Defender® DF43 (Patented) consists of a Defender® and hardened steel (HRC 53) escutcheon (65 x 90 mm) and a special rotating cover that completely protects the keyway.

The rotation of the body is controlled by the special magnetic key, whose security is given by the combination of the polarities of 7 magnets in 8 possible positions. The Defender® cover and the aluminium/brass escutcheon cover offer 7 different finishes for the best possible combination with existing handles and knobs.

Possibility of Defender® with the same coding in the KA version that can be opened with the same magnetic key.



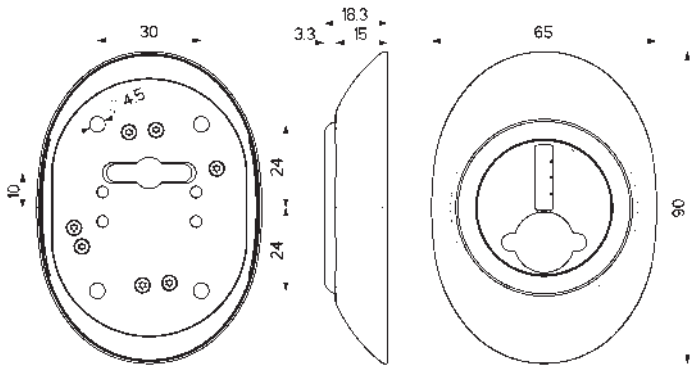
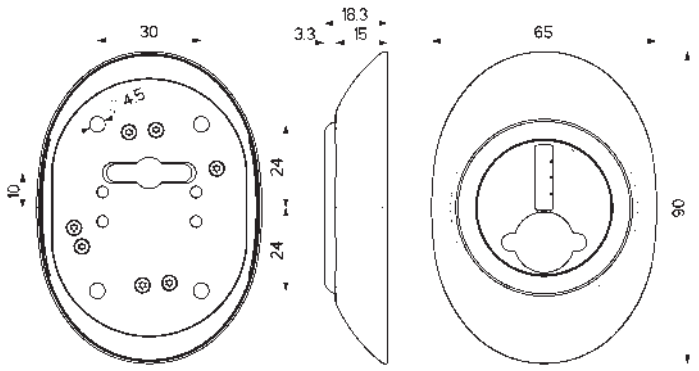
### SPECIFICATIONS

	Protection plate in neutral version.		

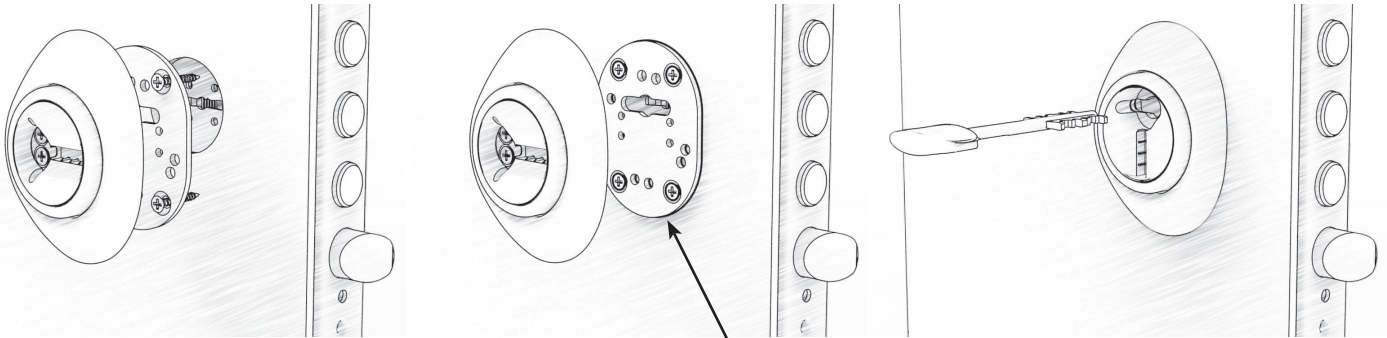
# DATASHEET

DF430..	
	<b>Finish</b> 2/4 keys
	Brass
	Black
	Chrome Plated
	Satin Chrome
	Anodised Silver
	Anodised Bronze
	PVD Gold

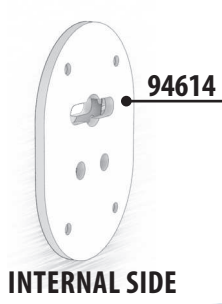
DF43D..	
	<b>Finish</b> 2/4 keys
	Brass
	Black
	Chrome Plated
	Satin Chrome
	Anodised Silver
	Anodised Bronze
	PVD Gold



## INSTALLATION



94614
Internal plate for fixing Magnetic Defender DF430 / DF43D Dim. 74 x 56 x 3 mm



## THE KEY

Magnetic key duplication KIT  
Reserved for Mottura Clubs



92355
Key in addition MAGNETIC CODING



## MASTER KEY SYSTEMS



System composed of several defenders with the same code that can be opened with the same key.

## DF501- Electronic

This is the ELECTRONIC Defender® in a single monobloc model with a sliding manganese plate protecting the keyway that is activated by a numeric code allowing the key to be inserted.

MADE IN ITALY



ALKALINE BATTERY 9V



ELECTRONIC Defender® top-notch security is completed aesthetically. Brass/aluminium monobloc (65 x 202 mm) with a steel Defender® inside, available in 5 mm base panel thicknesses.

The keyway is protected by a manganese plate positioned to completely cover the rotating chromed washer with the keyway slot available in two sizes: 3.5 or 5 mm.

The manganese plate protecting the keyway is activated by a numeric code that allows the key to be inserted.

Possibility of storing 1 master code and 25 service codes.

Available with M6 or M8 fixing screws (art. DF501...M8) centre distances 26/38 mm - fixing screws included.

For use with 5 mm base panel thicknesses.

Appropriate spacers can be used for thicker panels.

## SECURITY LEVEL

Maximum level of security with spheres protecting the key entry. Manganese plates protect the mechanical key entry and the Defender® inside. Support plate prepared with 2 M5 holes for further fixing on the door.

## FINISHES



CR  
Polished Chrome



PV  
PVD Gold

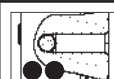


CS  
Satin Chrome

## SPECIFICATIONS



A rotating chromed washer protects the keyway with a slot available in two sizes, 3.5 or 5 mm.



All the versions feature two steel balls to protect the fixing screws



Available with M6 or M8 fixing screws

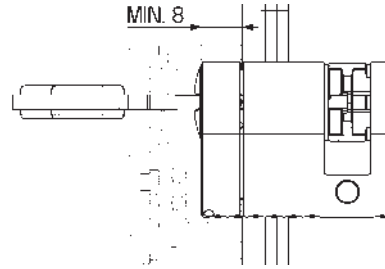


DF501..	
Finish	
Polished Chrome	
Satin Chrome	
PVD Gold	
Electronic Defender	



## UTILIZATION

For its correct use, the cylinder must have a projection from door panel of minimum 8 mm.

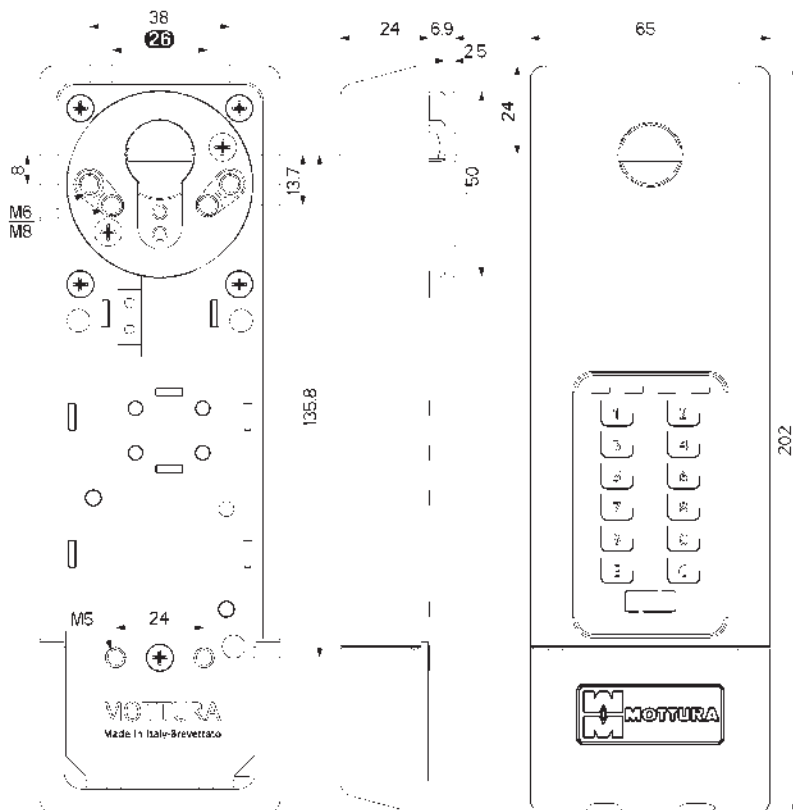


## ACCESSORIES

941118N	
Finish	
Black	
Spacer 2.5 mm thickness for Electronic Defender DF501 Dim. 202 x 65 mm Pack of 1 piece	

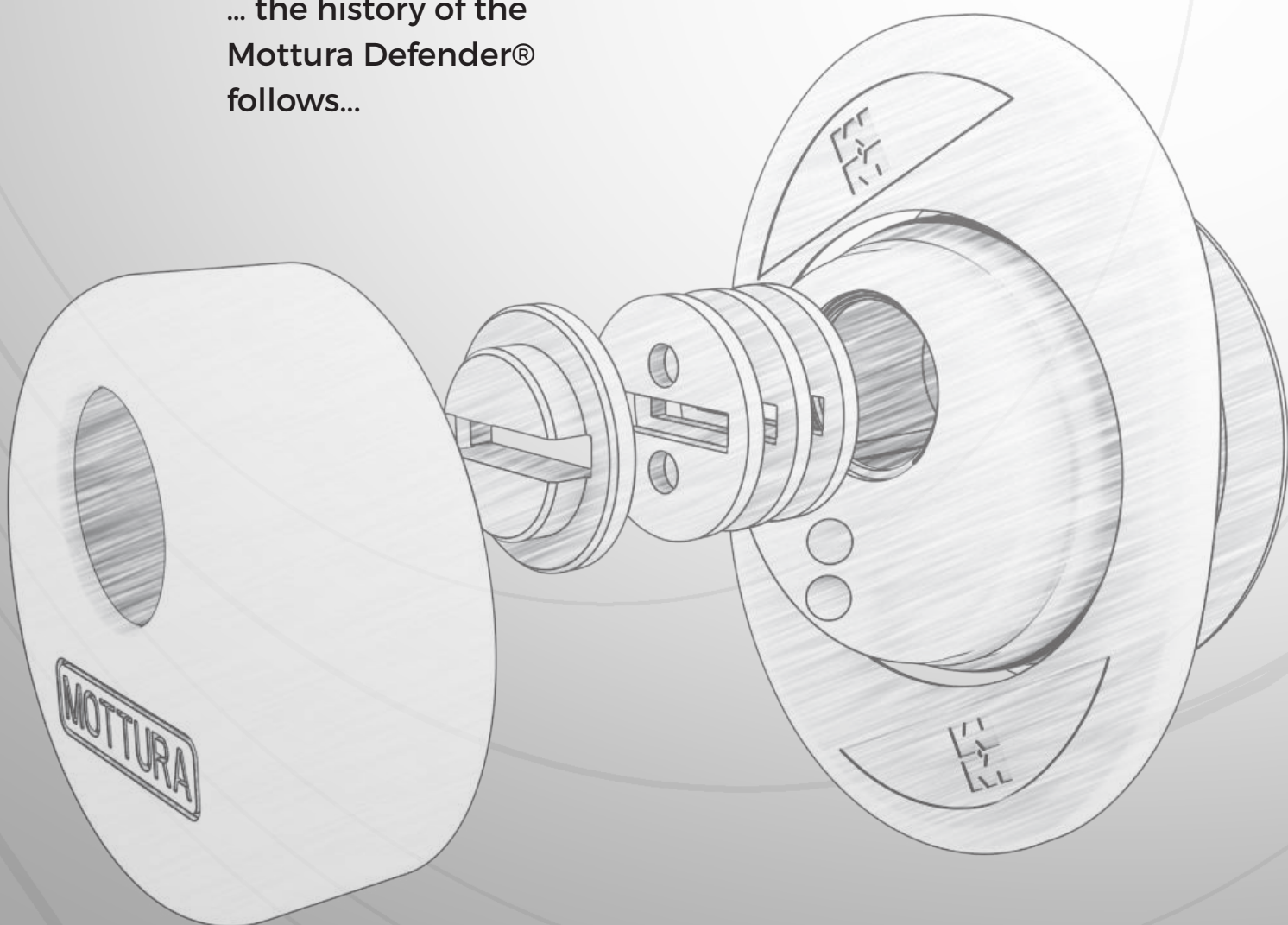


## DATASHEET





... the history of the  
Mottura Defender®  
follows...



## TOP SYSTEM NEW LINE

Defender® for high security, in 2 different thicknesses, with cone base for installation in combination with manganese reinforcement plates. Keyway protected by three rotating manganese steel plates.

MADE IN ITALY

Defender®



The TOP SYSTEM NEW LINE protection is made up of a steel Defender® available without escutcheon 94631/41 or with escutcheon 94731/41 (item 95447 - dim. 65 x 90 mm).

Combine with the appropriate manganese plates.

The Defender® cover and the aluminium/brass escutcheon cover offer 7 different finishes for the best possible combination with existing handles and knobs.

The keyway is protected by a manganese plate positioned to completely cover the rotating chromed washer with the keyway slot 3.5 mm.

Available with M6 fixings center distance 38 mm.

94631 th → ← 30 mm	Finish
	Brass
	Black
	Chrome Plated
	Satin Chrome
	Anodised Silver
	Anodised Bronze
	PVD Gold

94731 th → ← 30 mm	Finish
	Brass
	Black
	Chrome Plated
	Satin Chrome
	Anodised Silver
	Anodised Bronze
	PVD Gold

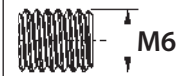
94641 th → ← 40 mm	Finish
	Brass
	Black
	Chrome Plated
	Satin Chrome
	Anodised Silver
	Anodised Bronze
	PVD Gold

94741 th → ← 40 mm	Finish
	Brass
	Black
	Chrome Plated
	Satin Chrome
	Anodised Silver
	Anodised Bronze
	PVD Gold

## SPECIFICATIONS



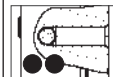
A rotating chromed washer protects with 3,5 mm key entry slot



Available with M6 fixing screws



Possibility of Neutral version or with Mottura brand on the cover



All the versions feature two steel balls to protect the fixing screws

## TOP SYSTEM

Defender® for high security, in 4 different thicknesses, with cone base for installation in combination with manganese reinforcement plates. Keyway protected by three rotating manganese steel plates.

MADE IN ITALY

94630



**Defender® thickness 30 mm**  
Two steel balls protect the cylinder body.  
Two steel balls protect the fixing screws

94730



**Defender® thickness 30 mm including escutcheon 95447**  
Two steel balls protect the cylinder body.  
Two steel balls protect the fixing screws.



94640



**Defender® thickness 40 mm**  
Two steel balls protect the cylinder body.  
Two steel balls protect the fixing screws

94740



**Defender® thickness 40 mm including escutcheon 95447**  
Two steel balls protect the cylinder body.  
Two steel balls protect the fixing screws.

The TOP SYSTEM protector consists of a steel Defender® available in the version with escutcheon (65 x 90 mm - 94730/40/50/60) or without escutcheon (94630/40/50/60), in 4 thicknesses.

Combine with the appropriate manganese plates. The cover of the Defender® in aluminium/brass makes 7 different finishes available for the best possible match with existing handles and knobs.

The keyway is protected by a rotating chromed washer with a 3.5 mm keyway slot and 3 manganese steel plates for a total thickness of 12 mm.

Available with M6 fixings center distance 38 mm.

94650



**Defender® thickness 50 mm**  
Two steel balls protect the cylinder body.  
Two steel balls protect the fixing screws

94750



**Defender® thickness 50 mm including escutcheon 95447**  
Two steel balls protect the cylinder body.  
Two steel balls protect the fixing screws.



94660



**Defender® thickness 60 mm**  
Two steel balls protect the cylinder body.  
Two steel balls protect the fixing screws

94760



**Defender® thickness 60 mm including escutcheon 95447**  
Two steel balls protect the cylinder body.  
Two steel balls protect the fixing screws.

## SPECIFICATIONS



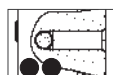
A rotating chromed washer protects with 3,5 mm key entry slot



Possibility of Neutral version or with Mottura brand on the cover



Available with M6 fixing screws



All the versions feature two steel balls to protect the fixing screws

94630 th → ← 30 mm	Finish
	Brass
	Black
	Chrome Plated
	Satin Chrome
	Anodised Silver
	Anodised Bronze
	PVD Gold

94730 th → ← 30 mm	Finish
	Brass
	Black
	Chrome Plated
	Satin Chrome
	Anodised Silver
	Anodised Bronze
	PVD Gold

94640 th → ← 40 mm	Finish
	Brass
	Black
	Chrome Plated
	Satin Chrome
	Anodised Silver
	Anodised Bronze
	PVD Gold

94740 th → ← 40 mm	Finish
	Brass
	Black
	Chrome Plated
	Satin Chrome
	Anodised Silver
	Anodised Bronze
	PVD Gold

94650 th → ← 50 mm	Finish
	Brass
	Black
	Chrome Plated
	Satin Chrome
	Anodised Silver
	Anodised Bronze
	PVD Gold

94750 th → ← 50 mm	Finish
	Brass
	Black
	Chrome Plated
	Satin Chrome
	Anodised Silver
	Anodised Bronze
	PVD Gold

94660 th → ← 60 mm	Finish
	Brass
	Black
	Chrome Plated
	Satin Chrome
	Anodised Silver
	Anodised Bronze
	PVD Gold

94760 th → ← 60 mm	Finish
	Brass
	Black
	Chrome Plated
	Satin Chrome
	Anodised Silver
	Anodised Bronze
	PVD Gold

## BASIC

Defender® with chromed washer to protect the keyway, which with just 2 thicknesses covers most door thicknesses, expands its range with the new version for Dierre doors.

MADE IN ITALY

9411625



**Defender® thickness 25 mm**  
Two steel balls protect the cylinder body.  
Two steel balls protect the fixing screws.



9411725



**Defender® thickness 25 mm including escutcheon 95447**  
Two steel balls protect the cylinder body.  
Two steel balls protect the fixing screws.



9411645



**Defender® thickness 45 mm**  
Two steel balls protect the cylinder body.  
Two steel balls protect the fixing screws.



9411745



**Defender® thickness 45 mm including escutcheon 95447**  
Two steel balls protect the cylinder body.  
Two steel balls protect the fixing screws.



The BASIC protector consists of a steel Defender® available in the version with escutcheon (65 x 90 mm - 9411725/745) and without escutcheon (9411625/645), available in 2 thicknesses (25/45 mm).

Single thickness (25 mm) for the new BASIC DIERRE version. The cover of the Defender® in aluminium/brass makes 7 different finishes available for the best possible match with existing handles and knobs.

A rotating chromed washer protects the keyway with a slot available in two sizes, 3.5 or 5 mm.

Available with M6 or M8 fixing screws (art. 9411...M8) centre distance 38 mm for BASIC.

Available with M6 fixing screws -centre distance 31 mm for BASIC DIERRE.

9411425 DIERRE



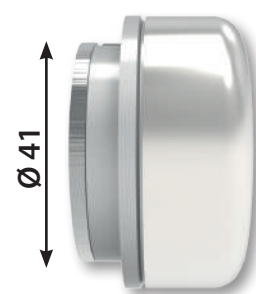
**Defender® thickness 25 mm for Dierre locks**  
Two steel balls protect the cylinder body.  
Two steel balls protect the fixing screws.



9411525 DIERRE



**Defender® thickness 25 mm for Dierre locks including escutcheon 95447.** Two steel balls protect the cylinder body.  
Two steel balls protect the fixing screws.



**BASIC DIERRE**

## SPECIFICATIONS



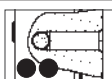
A rotating chromed washer protects the keyway with a slot available in two sizes, 3.5 or 5 mm.



Possibility of Neutral version or with Mottura brand on the cover



Available with M6 or M8 fixing screws for BASIC  
Available with M6 fixing screws for BASIC DIERRE



All the versions feature two steel balls to protect the fixing screws

9411625 th → ← 25 mm	Finish
	Brass
	Black
	Chrome Plated
	Satin Chrome
	Anodised Silver
	Anodised Bronze
	PVD Gold

9411725 th → ← 25 mm	Finish
	Brass
	Black
	Chrome Plated
	Satin Chrome
	Anodised Silver
	Anodised Bronze
	PVD Gold

9411645 th → ← 45 mm	Finish
	Brass
	Black
	Chrome Plated
	Satin Chrome
	Anodised Silver
	Anodised Bronze
	PVD Gold

9411745 th → ← 45 mm	Finish
	Brass
	Black
	Chrome Plated
	Satin Chrome
	Anodised Silver
	Anodised Bronze
	PVD Gold

9411425 th → ← 25 mm	Finish
	Brass
	Black
	Chrome Plated
	Satin Chrome
	Anodised Silver
	Anodised Bronze
	PVD Gold

9411525 th → ← 25 mm	Finish
	Brass
	Black
	Chrome Plated
	Satin Chrome
	Anodised Silver
	Anodised Bronze
	PVD Gold

## T.ZETA

Defender®, with a simple zinc alloy structure for easy assembly. Interchangeable with the Defender® Top System, in 4 different thicknesses, with cone base for installation in combination with manganese reinforcement plates.

MADE IN ITALY

94830



**Defender® thickness 30 mm**  
Two steel balls protect the cylinder body.  
Two steel balls protect the fixing screws.

94930



**Defender® thickness 30 mm including escutcheon 95447**  
Two steel balls protect the cylinder body.  
Two steel balls protect the fixing screws.



94840



**Defender® thickness 40 mm**  
Two steel balls protect the cylinder body.  
Two steel balls protect the fixing screws.

94940



**Defender® thickness 40 mm including escutcheon 95447**  
Two steel balls protect the cylinder body.  
Two steel balls protect the fixing screws.

The T. ZETA protector consists of a zinc alloy Defender® available in the version with escutcheon (65 x 90 mm - 94930/40/50/60) or without escutcheon (94830/40/50/60), in 4 thicknesses.

Combine with the appropriate manganese plates. The cover of the Defender® in aluminium/brass makes 7 different finishes available for the best possible match with existing handles and knobs.

A rotating chromed washer protects the keyway with a slot available in two sizes, 3.5 or 5 mm.

Available with M6 fixing screws - centre distance 38 mm.

94850



**Defender® thickness 50 mm**  
Two steel balls protect the cylinder body.  
Two steel balls protect the fixing screws.

94950



**Defender® thickness 50 mm including escutcheon 95447**  
Two steel balls protect the cylinder body.  
Two steel balls protect the fixing screws.

94860



**Defender® thickness 60 mm**  
Two steel balls protect the cylinder body.  
Two steel balls protect the fixing screws.

94960



**Defender® thickness 60 mm including escutcheon 95447**  
Two steel balls protect the cylinder body.  
Two steel balls protect the fixing screws.



## SPECIFICATIONS

	A rotating chromed washer protects the keyway with a slot available in two sizes, 3.5 or 5 mm.		Possibility of Neutral version or with Mottura brand on the cover
	Available with M6 fixing screws		All the versions feature two steel balls to protect the fixing screws



94830 th → ← 30 mm	Finish
	Brass
	Black
	Chrome Plated
	Satin Chrome
	Anodised Silver
	Anodised Bronze
	PVD Gold

94930 th → ← 30 mm	Finish
	Brass
	Black
	Chrome Plated
	Satin Chrome
	Anodised Silver
	Anodised Bronze
	PVD Gold

94840 th → ← 40 mm	Finish
	Brass
	Black
	Chrome Plated
	Satin Chrome
	Anodised Silver
	Anodised Bronze
	PVD Gold

94940 th → ← 40 mm	Finish
	Brass
	Black
	Chrome Plated
	Satin Chrome
	Anodised Silver
	Anodised Bronze
	PVD Gold

94850 th → ← 50 mm	Finish
	Brass
	Black
	Chrome Plated
	Satin Chrome
	Anodised Silver
	Anodised Bronze
	PVD Gold

94950 th → ← 50 mm	Finish
	Brass
	Black
	Chrome Plated
	Satin Chrome
	Anodised Silver
	Anodised Bronze
	PVD Gold

94860 th → ← 60 mm	Finish
	Brass
	Black
	Chrome Plated
	Satin Chrome
	Anodised Silver
	Anodised Bronze
	PVD Gold

94960 th → ← 60 mm	Finish
	Brass
	Black
	Chrome Plated
	Satin Chrome
	Anodised Silver
	Anodised Bronze
	PVD Gold

## B.ZETA

Defender®, with a simple zinc alloy structure for easy assembly. Interchangeable with the Defender® BASIC, in 2 different thicknesses (25/45 mm) with or without escutcheon.

MADE IN ITALY

9411825



**Defender® thickness 25 mm**  
Two steel balls protect the cylinder body.  
Two steel balls protect the fixing screws.



9411925



**Defender® thickness 25 mm including escutcheon 95447**  
Two steel balls protect the cylinder body.  
Two steel balls protect the fixing screws.



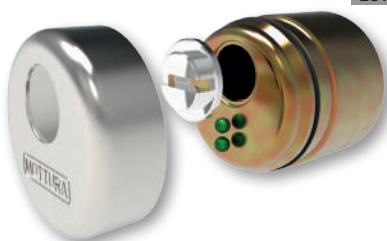
The B. ZETA protector consists of a zinc alloy Defender® available in the version with escutcheon (65 x 90 mm - 94930/40/50/60) or without escutcheon (94830/40/50/60), in 2 thicknesses.

The cover of the Defender® in aluminium/brass makes 7 different finishes available for the best possible match with existing handles and knobs.

A rotating chromed washer protects the keyway with a slot available in two sizes, 3.5 or 5 mm.

Available with M6 fixing screws - centre distance 38 mm.

9411845



**Defender® thickness 45 mm**  
Two steel balls protect the cylinder body.  
Two steel balls protect the fixing screws.



9411945



**Defender® thickness 45 mm including escutcheon 95447**  
Two steel balls protect the cylinder body.  
Two steel balls protect the fixing screws.



9411825 sp → ← 25 mm	9411925 sp → ← 25 mm	Finish
		Brass
		Black
		Chrome Plated
		Satin Chrome
		Anodised Silver
		Anodised Bronze
		PVD Gold

9411845 sp → ← 45 mm	9411945 sp → ← 45 mm	Finish
		Brass
		Black
		Chrome Plated
		Satin Chrome
		Anodised Silver
		Anodised Bronze
		PVD Gold



## SPECIFICATIONS



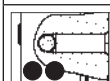
A rotating chromed washer protects the keyway with a slot available in two sizes, 3.5 or 5 mm.



Available with M6 fixing screws



Possibility of Neutral version or with Mottura brand on the cover



All the versions feature two steel balls to protect the fixing screws

# TEST REPORT

All Defenders® have been tested in compliance with the UNI EN 1906 standard and passed the required tests.

**ICIM**

**Attestato di Prova  
Test Certificate**

Attestato N.  
Certificate No. **REP-MNL-000472**

ORGANISMO DI CERTIFICAZIONE / CERTIFICATION BODY

**ICIM S.p.A.**  
Piazza Don Enrico Mapelli, 15 - 20099 Sesto San Giovanni (MI) - IT

DATI FABBRICANTE/COMITENTE / MANUFACTURER/CUSTOMER DETAILS

**MOTTURA SERRATURE DI SICUREZZA**  
Strada Antica di Francia, 34 - 10057 Sant'Ambrogio di Torino (TO) - IT

UNITA OPERATIVE / OPERATIVES UNITS  
Strada Antica di Francia, 34 - 10057 Sant'Ambrogio di Torino (TO) - IT

DATI PRODOTTO / PRODUCT DETAILS

TIPOLOGIA  
TYPE: **Protezione DEFENDER**

DEGNOMAZIONE  
(SYMBOLIZATION): **DF0xxxxxx, DF0xxxxxx, DF07xxxxxx, DF08xxxxxx, DF1xxxxxx, DF30xxxxxx, DF50xxxxxx**

Caratteristiche: vedi Allegati / Characteristics: see Annex  
DOCUMENTO DI RIFERIMENTO / STANDARD  
**EN 1906:2012 § Annex A**  
RIPORTO DI PROVA / TEST REPORT  
**REP-MNL-000471**

EVENTUALI ESTENSIONI / EXTENSIONS  
---

Questo attestato è valido esclusivamente per il prodotto sopra indicato. Eventuali ulteriori rapporti devono essere approvati da ICIM S.p.A.  
This certificate is valid only for the product above specified. Any extension change must be approved by ICIM S.p.A.

(Impronta Manuale e Autografo valida solo se accompagnata dal relativo Allegato) / This Certificate is valid only with the relative Annex

**ICIM S.p.A.**  
EMMISSIONE  
ISSUE  
**30/11/2018**

ICIM S.p.A. - Piazza Don Enrico Mapelli, 15 - 20099 Sesto San Giovanni (MI)

**ICIM**

**Attestato di Prova  
Test Certificate**

ALLEGATO AL / ANNEX TO

Certificato N.  
Certificate N. **REP-MNL-000472**

SERIE SERIES:	DEFENDER	
MODELLI MODELS:	DF0xxxxxx, DF0xxxxxx, DF07xxxxxx, DF08xxxxxx, DF1xxxxxx, DF30xxxxxx, DF50xxxxxx	
CLASSIFICAZIONE CLASSIFICATION:	Annex A - EN 1906	<b>Grado 4 Grade 4</b>
LOTTO DI PRODUZIONE BATCH:	112018	

**ICIM S.p.A.**  
EMMISSIONE  
ISSUE  
**30/11/2018**

ICIM S.p.A. - Piazza Don Enrico Mapelli, 15 - 20099 Sesto San Giovanni (MI)

**ICIM**

**SISTEMI DI PROTEZIONE DEFENDER®**

Test report numero: 12071003SG

Data e luogo di emissione: 10/07/2012 Sesto San Giovanni (MI) - Italy

Commissa: AIW

Azienda: MOTTURA SERRATURE DI SICUREZZA S.p.A.

Data del test: 10/07/2012

Oggetto: prove su sistemi di protezione DEFENDER® per serrature con cilindro europeo

Luogo di esecuzione: MOTTURA SERRATURE DI SICUREZZA S.p.A.  
Strada Antica di Francia, 34  
10057 Sant'Ambrogio (TO)

Identificazione del campione: DEFENDER® serie TOP SYSTEM

**Index**

- 1.0 Riferimenti Normativi
- 2.0 Strumenti di misura
- 3.0 Descrizione del prodotto
- 4.0 Classificazione
- 5.0 Test
- 6.0 Valutazioni finali

ICIM S.p.A. è un'azienda  
Piazza Don Enrico Mapelli, 15  
20099 Sesto San Giovanni (MI)  
Tel. +39 02 700001  
Fax +39 02 700000  
www.icim.it

ICIM S.p.A.  
Product Area Inspector  
Stefano Caporali

ICIM S.p.A.  
Product Area Manager  
Ing. Massimiliano Florio

Capitale Sociale  
€ 200.000.000,00 integralmente versato  
C.F./P.IVA e Isc. Reg. Imprese  
e Min. A. 1000020150  
R.I.S.A. n. 1900002

CE ACCREDITED

ISO 9001:2008  
ISO 14001:2004  
ISO 45001:2018  
UNI EN ISO 19011:2011  
UNI EN ISO 15189:2013  
UNI EN ISO 17025:2005

CSO

ICoNet

EUROPEAN BUILDING

Pag. 10 13

**ICIM**

**SISTEMI DI PROTEZIONE DEFENDER®**

Test report numero: 12071001SG

Data e luogo di emissione: 10/07/2012 Sesto San Giovanni (MI) - Italy

Commissa: AIW

Azienda: MOTTURA SERRATURE DI SICUREZZA S.p.A.

Data del test: 10/07/2012

Oggetto: prove su sistemi di protezione DEFENDER® per serrature con cilindro europeo

Luogo di esecuzione: MOTTURA SERRATURE DI SICUREZZA S.p.A.  
Strada Antica di Francia, 34  
10057 Sant'Ambrogio (TO)

Identificazione del campione: DEFENDER® serie BASIC

**Index**

- 1.0 Riferimenti Normativi
- 2.0 Strumenti di misura
- 3.0 Descrizione del prodotto
- 4.0 Classificazione
- 5.0 Test
- 6.0 Valutazioni finali

ICIM S.p.A. è un'azienda  
Piazza Don Enrico Mapelli, 15  
20099 Sesto San Giovanni (MI)  
Tel. +39 02 700001  
Fax +39 02 700000  
www.icim.it

ICIM S.p.A.  
Product Area Inspector  
Stefano Caporali

ICIM S.p.A.  
Product Area Manager  
Ing. Massimiliano Florio

Capitale Sociale  
€ 200.000.000,00 integralmente versato  
C.F./P.IVA e Isc. Reg. Imprese  
e Min. A. 1000020150  
R.I.S.A. n. 1900002

CE ACCREDITED

ISO 9001:2008  
ISO 14001:2004  
ISO 45001:2018  
UNI EN ISO 19011:2011  
UNI EN ISO 15189:2013  
UNI EN ISO 17025:2005

CSO

ICoNet

EUROPEAN BUILDING

Pag. 11 12

**ICIM**

**SISTEMI DI PROTEZIONE DEFENDER®**

Test report numero: 12071002SG

Data e luogo di emissione: 10/07/2012 Sesto San Giovanni (MI) - Italy

Commissa: AIW

Azienda: MOTTURA SERRATURE DI SICUREZZA S.p.A.

Data del test: 10/07/2012

Oggetto: prove su sistemi di protezione DEFENDER® per serrature con cilindro europeo

Luogo di esecuzione: MOTTURA SERRATURE DI SICUREZZA S.p.A.  
Strada Antica di Francia, 34  
10057 Sant'Ambrogio (TO)

Identificazione del campione: DEFENDER® serie TZ

**Index**

- 1.0 Riferimenti Normativi
- 2.0 Strumenti di misura
- 3.0 Descrizione del prodotto
- 4.0 Classificazione
- 5.0 Test
- 6.0 Valutazioni finali

ICIM S.p.A. è un'azienda  
Piazza Don Enrico Mapelli, 15  
20099 Sesto San Giovanni (MI)  
Tel. +39 02 700001  
Fax +39 02 700000  
www.icim.it

ICIM S.p.A.  
Product Area Inspector  
Stefano Caporali

ICIM S.p.A.  
Product Area Manager  
Ing. Massimiliano Florio

Capitale Sociale  
€ 200.000.000,00 integralmente versato  
C.F./P.IVA e Isc. Reg. Imprese  
e Min. A. 1000020150  
R.I.S.A. n. 1900002

CE ACCREDITED

ISO 9001:2008  
ISO 14001:2004  
ISO 45001:2018  
UNI EN ISO 19011:2011  
UNI EN ISO 15189:2013  
UNI EN ISO 17025:2005

CSO

ICoNet

EUROPEAN BUILDING

Pag. 12 12

**ICIM**

**SISTEMI DI PROTEZIONE DEFENDER®**

Test report numero: 12071101SG

Data e luogo di emissione: 11/07/2012 Sesto San Giovanni (MI) - Italy

Commissa: AIW

Azienda: MOTTURA SERRATURE DI SICUREZZA S.p.A.

Data del test: 11/07/2012

Oggetto: prove su sistemi di protezione DEFENDER® per serrature con cilindro europeo

Luogo di esecuzione: MOTTURA SERRATURE DI SICUREZZA S.p.A.  
Strada Antica di Francia, 34  
10057 Sant'Ambrogio (TO)

Identificazione del campione: DEFENDER® a molta

**Index**

- 1.0 Riferimenti Normativi
- 2.0 Strumenti di misura
- 3.0 Descrizione del prodotto
- 4.0 Classificazione
- 5.0 Test
- 6.0 Valutazioni finali

ICIM S.p.A. è un'azienda  
Piazza Don Enrico Mapelli, 15  
20099 Sesto San Giovanni (MI)  
Tel. +39 02 700001  
Fax +39 02 700000  
www.icim.it

ICIM S.p.A.  
Product Area Inspector  
Stefano Caporali

ICIM S.p.A.  
Product Area Manager  
Ing. Massimiliano Florio

Capitale Sociale  
€ 200.000.000,00 integralmente versato  
C.F./P.IVA e Isc. Reg. Imprese  
e Min. A. 1000020150  
R.I.S.A. n. 1900002

CE ACCREDITED

ISO 9001:2008  
ISO 14001:2004  
ISO 45001:2018  
UNI EN ISO 19011:2011  
UNI EN ISO 15189:2013  
UNI EN ISO 17025:2005

CSO

ICoNet

EUROPEAN BUILDING

Pag. 13 12

## 3DKey - Defender®

This is the Defender® created exclusively for 3DKey locks.

MADE IN ITALY



95.447..

The Defender® protector was created exclusively for 3DKey locks.

This protector meets the Mottura standard with steel Defender® diameter 50 mm with aluminium/brass cover that allows 7 different finishes for the best possible combination with existing handles and knobs. The special keyway for special 3DKeys allows the use of keys with a minimum stem length of 30 mm.

Available with M5 fixing screws - centre distance 15 mm. Viti M4x20 include per fissaggio spessori.

## FINISH



**OT**  
Brass



**CR**  
Chrome Plated



**PV**  
PVD Gold



**CS**  
Satin Chrome



**AA**  
Anodised Silver



**B**  
Anodised Bronze



**N**  
Black

94.925..		
Finish		
Brass		
Black		
Chrome Plated		
Satin Chrome		
Anodised Silver		
Anodised Bronze		
PVD Gold		
Defender® Ø 50 reinforcement for 3DKey locks. Thickness 25 mm. Complete with 2 M4x20 screws fixing spacer.		

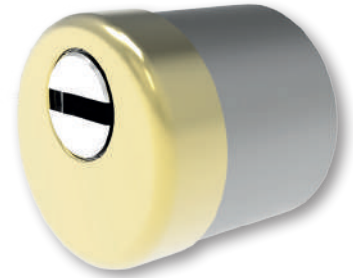
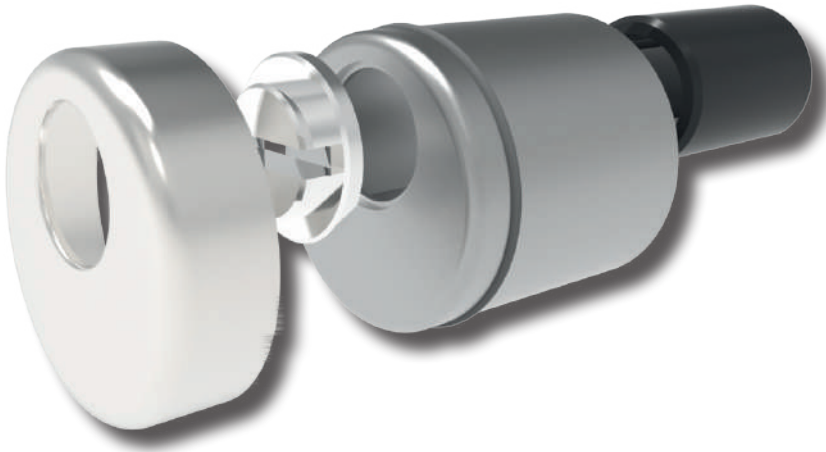
94.1121		
Finish		
Zinc-plated		
Spacer thickness 2.5 mm for Defender® 94.924 diam. 50 mm <b>Pack of 25 pieces</b>		

## SERIE 32 - Defender®

This is the exclusive Defender® for vertical locks Mottura Series 32. Reduced diameter of 42 mm. Single version with thickness 40 mm

MADE IN ITALY

Defender



The Defender® protector created for the Series 32 (vertical locks) includes a steel Defender® with a reduced diameter of 42 mm and a cover with 2 different finishes.

A rotating chromed washer protects the keyway with a slot available in two sizes, 3.5 or 5 mm.

Available with M4 fixing screws - centre distance 25 mm.

M4 x 20 screws included.

### FINISH



PV  
PVD Gold

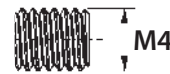


CS  
Satin Chrome

### SPECIFICATIONS



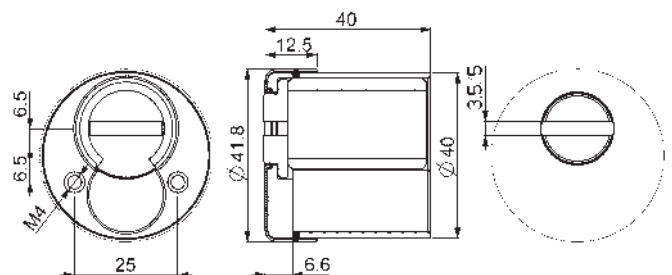
A rotating chromed washer protects the keyway with a slot available in two sizes, 3.5 or 5 mm.



Available with M4 fixing screws

94.11818..	
Finish	
Satin Chrome	
PVD Gold	
Reinforcement Defender® Ø 42 for 32.590/690 Height 40 mm. Chrome washer with <b>backset slot 3.5 or 5 mm</b> (specify in order).	

94.11200	
Finish	
Zinc-plated	
Spacer thickness mm. 2.5 for Defender® Ø 42 mm - art. 94.11818 holes centre distance mm 25 <b>Package of 25</b>	



## SERIE 32, 37, 47 - Defender®

This is the ideal Defender® for locks for sliding and swing doors and windows.

MADE IN ITALY



The Defender® protector to be used on Series 32, 37, 47 locks.

It works with two types of Defender®, one in Zamak and one in (HRC 53) high resistance steel.

A rotating chromed washer protects the keyway with a slot available in two sizes, 3.5 or 5 mm.

Available with M6 fixing screws.



ZAMAK - 94.920

STEEL - 94.922

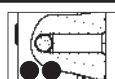
## SPECIFICATIONS



A rotating chromed washer protects the keyway with a slot available in two sizes, 3.5 or 5 mm..



Available with M6 fixing screws



All the versions feature two steel balls to protect the fixing screws

### 94.920

**Finish**

Black

Zamak reinforcement Defender®  
mm 32 x 75 x 18.5  
for series 32-37-47  
backset protection: 6 mm  
Backset slot of 3.5 or 5 mm  
(specify in order)



### 94.922

**Finish**

Black

Steel reinforcement Defender®  
mm 32 x 75 x 18.5  
for series 32-37-47  
backset protection: 6 mm  
Backset slot of 3.5 or 5 mm  
(specify in order)



### 94.921

**Finish**

Black

Zamak reinforcement Defender®  
mm 32 x 75 x 18.5  
for art. 47.902  
backset protection: 6 mm  
Backset slot of 3.5 or 5 mm  
(specify in order)



### 94.11101..

**Code**

**Finish**

**Th. [mm]**

94.11101

Black

2,5

94.11101/1

Black

1

Spacer for Defender® 94.920  
**Package of 25**



<h2>94.KIT902/1</h2> <p><b>Finish</b> Black</p> <p>Half cylinder protection kit, specific for locks art. 47.902 comprising:  <ul style="list-style-type: none"> <li>• N° 1 Defender® art. 94.921</li> <li>• N° 1 Defender® mount art. 99.260</li> </ul> </p>		<h2>94.1122</h2> <p><b>Finish</b> Black</p> <p>Spacer thickness mm 4 - Defender® DF03 - DF07  Dimensions : 90 x 72 mm  <b>Package of 10</b></p>	
<h2>94.KIT902/2</h2> <p><b>Finish</b> Black</p> <p>Protection kit for tubulars 30x40 with double cylinder, specific for locks art. 47.902, comprising:  <ul style="list-style-type: none"> <li>• N° 1 Defender® art. 94.920</li> <li>• N° 1 Defender® mount art. 99.263</li> <li>• N° 1 internal escutcheon art 95.421</li> <li>• N° 1 pair of wrench-resistant screws art. 99.261</li> </ul> </p>		<h2>94.601..</h2> <p>Defender® internal fixing rose for cylinder with knob  Length 25/31/38/41 mm (specify in the order)  Match escutcheon art. 95.403  <b>Package of 10</b></p>	
<h2>94.KIT902/3</h2> <p><b>Finish</b> Black</p> <p>Protection kit for tubulars 40x40 with double cylinder, specific for locks art. 47.902, comprising:  <ul style="list-style-type: none"> <li>• N° 1 Defender® art. 94.920</li> <li>• N° 1 Defender® mount art. 99.263/40</li> <li>• N° 1 internal escutcheon art 95.421</li> <li>• N° 1 pair of wrench-resistant screws art. 99.261/40</li> </ul> </p>		<h2>94.602..</h2> <p>Defender® internal fixing rose for double cylinder  <b>Length 25/31/38/41 mm</b> (specify in the order)  Match escutcheon art. 95.404  <b>Package of 10</b></p>	
<h2>94.11108</h2> <p><b>Finish</b> Zinc-plated</p> <p>Spacer thickness mm 2.5 - for M6/M8 for Defender® Ø 50  holes centre distance mm 38  <b>Package of 25</b></p>		<h2>94.603</h2> <p><b>Finish</b> Zinc-plated</p> <p>Defender® internal fixing rose for cylinder with knob - thickness 4 mm.  N.B. fitting on cylinders with inside length that does not exceed the door edge. Match escutcheon art. 95.403  <b>Package of 10</b></p>	
<h2>94.11108/1</h2> <p><b>Finish</b> Zinc-plated</p> <p>Spacer thickness mm 1 - for M6/M8 for Defender® Ø 50  holes centre distance mm 38  <b>Package of 25</b></p>		<h2>94.612</h2> <p><b>Finish</b> Zinc-plated</p> <p>Defender® internal fixing rose for double cylinder - thickness 4 mm.  Match escutcheon art. 95.404  <b>Package of 10</b></p>	
<h2>94.1116</h2> <p><b>Finish</b> Black</p> <p>Spacer thickness mm 4 - Defender® DF05.  Dimensions : 90 x 65 mm  <b>Package of 10</b></p>		<h2>94.613</h2> <p><b>Finish</b> Zinc-plated</p> <p>Internal fixing plate  center distance 26 mm  Dim. 56 x 35 x4 mm  <b>Package of 10</b></p>	

<b>99.066D/S</b>	
<b>Finish</b>	
Zinc-plated	

Plate (holes Ø6) + cylinder fastening screw for cylinder locks with Mottura fitting fixing  
The item is supplied left or right-hand (specify in the order)  
**Package of 10**

<b>99.313/L</b>		
<b>Length [mm]</b>		
40		80
50		90
60		100
70		
M8 screws for cylinder <b>Package of 10</b>		

<b>95.447..</b>		
<b>Finish</b>		
Anod.Silver		Satin Chrome
Anod.Bronze		Black
Brass		PVD Gold
Chrome		
External escutcheon 65 x 90 mm with plastic support with hole for Defender® Ø 50 mm. <b>Package of 10</b>		

<b>99.066D/SM8</b>	
<b>Finish</b>	
Zinc-plated	

Plate (holes Ø8) + cylinder fastening screw for cylinder locks with Mottura fitting fixing  
The item is supplied left or right-hand (specify in the order)  
**Package of 10**

<b>99.314</b>	
<b>Finish</b>	
Zinc-plated	

Cylinder external fixing plate  
Diameter Ø 50 - thickness 2.5 mm.  
Specific for locks art. 85555.  
**Package of 25**

<b>95.500..</b>		
<b>Finish</b>		
Brass		Anod.Silver
Black		Anod.Bronze
Chrome Plated		PVD Gold
Satin Chrome		
Defender® Cover for TOP SYSTEM - BASIC - T.ZETA - B.ZETA - DF <b>Package of 10</b>		

<b>99.067D/SM8</b>	
<b>Finish</b>	
Zinc-plated	

Plate (holes Ø8) + cylinder fastening screw for cylinder locks thickness 25 mm with Mottura fitting fixing  
The item is supplied left or right-hand (specify in the order)  
**Package of 10**

<b>95.448..</b>	
<b>Finish</b>	
PVD Gold	
Under-defender escutcheon with Ø55.5 hole Dim. 140 x 70 x 1.5 mm <b>Package of 10</b>	

<b>99.070N</b>	
<b>Finish</b>	
Zinc-plated	

Cylinder fastening screws for locks with "special" Mottura fitting fixing  
**Package of 10**

<b>95.449..</b>	
<b>Finish</b>	
PVD Gold	
Under-defender escutcheon with Ø55.5 hole off-center Dim. 180 x 70 x 1.5 mm <b>Package of 10</b>	

<b>99.256</b>	
<b>Finish</b>	
Zinc-plated	

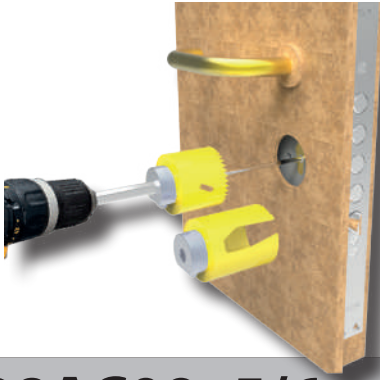
Spacer thickness 2.5 mm for TOP SYSTEM Ø 60 Defender®.  
**Package of 25**

<b>95.450..</b>	
<b>Finish</b>	
PVD Gold	
Under-defender escutcheon with central hole Ø55.5 Dim. 180 x 70 x 1.5 mm <b>Package of 10</b>	

<b>99.293/L</b>		
<b>Length [mm]</b>		
40		80
50		90
60		100
70		
M6 screws for cylinder <b>Package of 50</b>		

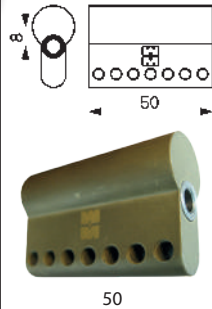


## DEFENDER® FIXING TOOLS



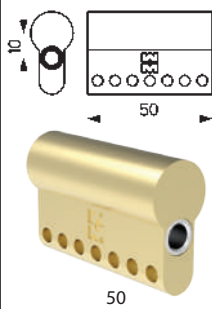
### 98AC09\_5/6

Special brass cylinder  
to be used as drilling template  
Length 50 mm  
Guide hole diameter 5.1 or 6.1  
Specify when ordering.



### 98AC26\_5/6

Special brass cylinder  
to be used as drilling template MAGNETIC Defender  
Length 50 mm  
Guide hole diameter 5.1 or 6.1  
Specify when ordering.



### 98AC10

Drilling kit including:  
1 hole saw Ø 54 with quick coupling  
3 blades for drilling plastic or wood  
1 high resistance Ø 54 hole saw with quick coupling multiple blade for drilling steel  
1 hexagonal shank with cylindrical shaft diameter 5 mm  
1 "template" cylinder with guide hole diameter 5.1 mm



### 98AC11

1 hexagonal shank with cylindrical shaft diameter 5 mm.



